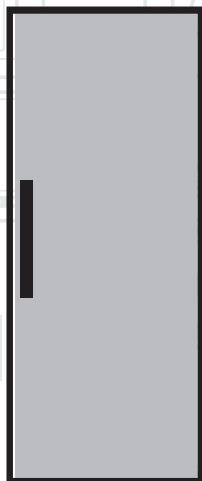


Refrigerator

User manual



Lednice
Návod k použití

Холодильник
Посібник користувача

Chladnička
Používateľská príručka

RSNE445E22

EN | CZ | UK | SK |

beko

Please read this manual before using the product!

Dear Customer,

We'd like you to make the best use of our product, which has been manufactured in modern facilities with care and meticulous quality controls.

Thus, we advise you to read the entire user manual before you use the product. In case the product changes hands, do not forget to hand the guide to its new owner along with the product.

This guide will help you use the product quickly and safely.

- Please read the user guide carefully before installing and operating the product.
- Always observe the applicable safety instructions.
- Keep the user guide within easy reach for future use.
- Please read any other documents provided with the product.

Keep in mind that this user guide may apply to several product models. The guide clearly indicates any variations of different models.

	Important information and useful tips.
	Risk of life and property.
	Risk of electric shock.
	The product's packaging is made of recyclable materials, in accordance with the National Environment Legislation.

1 Safety and environment instructions 4

General safety 4
Intended use 6
Child safety 6
Compliance with WEEE Directive and Disposing of the Waste Product 6
Compliance with RoHS Directive..... 7
Package information 7

2 Your refrigerator 8

3 Installation 9

Appropriate Installation Location..... 9
Adjusting the Feet 10
Electrical Connection 10

4 Preparation 11

5 Operating the product 12





Freezing fresh food 14
Recommendations for preserving the frozen food..... 15
Deep-freeze information 15
Placing the food..... 16
Door open warning..... 16
Changing the door opening direction 16

6 Maintenance and cleaning 21

7 Troubleshooting 22

This section provides the safety instructions necessary to prevent the risk of injury and material damage. Failure to observe these instructions will invalidate all types of product warranty.

Intended use

	WARNING: Keep ventilation openings, in the appliance enclosure or in the built-in structure, clear of obstruction.
	WARNING: Do not use mechanical devices or other means to accelerate the defrosting process, other than those recommended by the manufacturer.
	WARNING: Do not damage the refrigerant circuit.
	WARNING: Do not use electrical appliances inside the food storage compartments of the appliance, unless they are of the type recommended by the manufacturer.

This appliance is intended to be used in household and similar applications such as

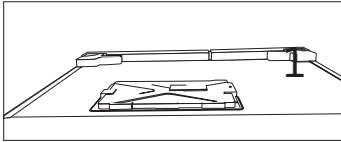
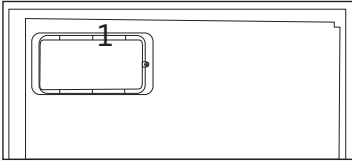
- staff kitchen areas in shops, offices and other working environments;
- farm houses and by clients in hotels, motels and other residential type environments;
- bed and breakfast type environments;

- catering and similar non-retail applications.

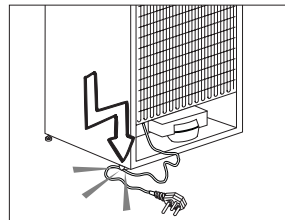
1.1. General safety

- This product should not be used by persons with physical, sensory and mental disabilities, without sufficient knowledge and experience or by children. The device can only be used by such persons under supervision and instruction of a person responsible for their safety. Children should not be allowed to play with this device.
- In case of malfunction, unplug the device.
- After unplugging, wait at least 5 minutes before plugging in again.
- Unplug the product when not in use.
- Do not touch the plug with wet hands! Do not pull the cable to plug off, always hold the plug.
- Do not plug in the refrigerator if the socket is loose.
- Unplug the product during installation, maintenance, cleaning and repair.
- If the product will not be used for a while, unplug the product and remove any food inside.
- Do not use the product when the compartment with circuit cards located on the upper back part of the product (electrical card box cover) (1) is open.

Safety and environment instructions



- Do not use steam or steamed cleaning materials for cleaning the refrigerator and melting the ice inside. Steam may contact the electrified areas and cause short circuit or electric shock!
- Do not wash the product by spraying or pouring water on it! Danger of electric shock!
- In case of malfunction, do not use the product, as it may cause electric shock. Contact the authorised service before doing anything.
- Plug the product into an earthed socket. Earthing must be done by a qualified electrician.
- If the product has LED type lighting, contact the authorised service for replacing or in case of any problem.
- Do not touch frozen food with wet hands! It may adhere to your hands!
- Do not place liquids in bottles and cans into the freezer compartment. They may explode.
- Place liquids in upright position after tightly closing the lid.
- Do not spray flammable substances near the product, as it may burn or explode.
- Do not keep flammable materials and products with flammable gas (sprays, etc.) in the refrigerator.
- Do not place containers holding liquids on top of the product. Splashing water on an electrified part may cause electric shock and risk of fire.
- Exposing the product to rain, snow, sunlight and wind will cause electrical danger. When relocating the product, do not pull by holding the door handle. The handle may come off.
- Take care to avoid trapping any part of your hands or body in any of the moving parts inside the product.
- Do not step or lean on the door, drawers and similar parts of the refrigerator. This will cause the product to fall down and cause damage to the parts.
- Take care not to trap the power cable.



Safety and environment instructions

1.1.1 HC warning

If the product comprises a cooling system using R600a gas, take care to avoid damaging the cooling system and its pipe while using and moving the product. This gas is flammable. If the cooling system is damaged, keep the product away from sources of fire and ventilate the room immediately.



The label on the inner left side indicates the type of gas used in the product.

1.1.2 For models with water dispenser

- Pressure for cold water inlet shall be maximum 90 psi (6.2 bar). If your water pressure exceeds 80 psi (5.5 bar), use a pressure limiting valve in your mains system. If you do not know how to check your water pressure, ask for the help of a professional plumber.
- If there is risk of water hammer effect in your installation, always use a water hammer prevention equipment in your installation. Consult Professional plumbers if you are not sure that there is no water hammer effect in your installation.
- Do not install on the hot water inlet. Take precautions against of the risk of freezing of the hoses. Water temperature operating interval shall be 33°F (0.6°C) minimum and 100°F (38°C) maximum.
- Use drinking water only.

1.2. Intended use

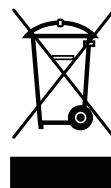
- This product is designed for home use. It is not intended for commercial use.
- The product should be used to store food and beverages only.
- Do not keep sensitive products requiring controlled temperatures (vaccines, heat sensitive medication, medical supplies, etc.) in the refrigerator.
- The manufacturer assumes no responsibility for any damage due to misuse or mishandling.
- Original spare parts will be provided for 10 years, following the product purchasing date.

1.3. Child safety

- Keep packaging materials out of children's reach.
- Do not allow the children to play with the product.
- If the product's door comprises a lock, keep the key out of children's reach.

1.4. Compliance with WEEE Directive and Disposing of the Waste Product

This product complies with EU WEEE Directive (2012/19/EU). This product bears a classification symbol for waste electrical and electronic equipment (WEEE).



This product has been manufactured with high quality parts and materials which can be reused and are suitable for recycling. Do not dispose of the waste product with normal domestic and

Safety and environment instructions

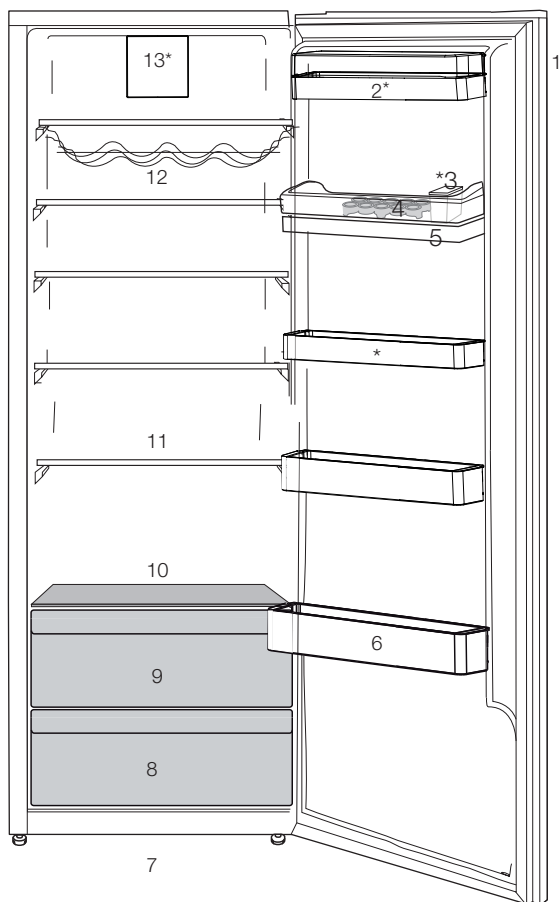
other wastes at the end of its service life. Take it to the collection center for the recycling of electrical and electronic equipment. Please consult your local authorities to learn about these collection centers.

1.5. Compliance with RoHS Directive

- This product complies with EU WEEE Directive (2011/65/EU). It does not contain harmful and prohibited materials specified in the Directive.

1.6. Package information

- Packaging materials of the product are manufactured from recyclable materials in accordance with our National Environment Regulations. Do not dispose of the packaging materials together with the domestic or other wastes. Take them to the packaging material collection points designated by the local authorities.



- | | |
|---------------------------------|-----------------------------|
| 1. Indicator panel | 8. Crispers |
| 2. Butter & Cheese sections | 9. Chiller |
| 3. Water dispenser filling tank | 10. Chiller cover and glass |
| 4. Egg section | 11. Movable shelves |
| 5. Water dispenser reservoir | 12. Wine cellar |
| 6. Bottle shelves | 13. Fan |
| 7. Adjustable front feet | |

***May not be available in all models**






Figures that take place in this instruction manual are schematic and may not correspond exactly with your product. If the subject parts are not included in the product you have purchased, then it is valid for other models.

3 Installation

3.1. Appropriate Installation Location

Contact an Authorized Service for the installation of the product. In order to prepare the product for use, refer the information in the user manual and ensure that electrical installation and water installation are appropriate. If not, call a qualified electrician and technician to have any necessary arrangements carried out.

	WARNING: Manufacturer shall not be held liable for damages that may arise from procedures carried out by unauthorized persons.
	WARNING: Product must not be plugged in during installation. Otherwise, there is the risk of death or serious injury!
	WARNING: If the door clearance of the room where the product shall be placed is so tight to prevent passing of the product, remove the door of the room and pass the product through the door by turning it to its side; if this does not work, contact the authorized service.

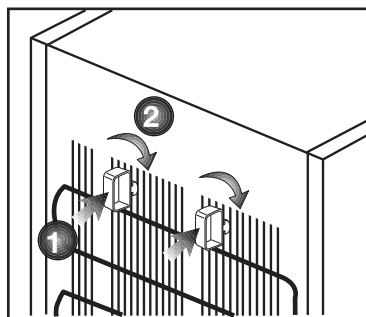
- Place the product on an even floor surface to prevent jolts.
- Install the product at least 30 cm away from heat sources such as hobs, heater cores and stoves and at least 5 cm away from electrical ovens.
- Product must not be subjected to direct sun light and kept in humid places.

- Appropriate air ventilation must be provided around your product in order to achieve an efficient operation. If the product is to be placed in a recess in the wall, pay attention to leave at least 5 cm distance with the ceiling and side walls.

Installing the Plastic Wedges

Plastic wedges supplied with the product are used to create the distance for the air circulation between the product and the rear wall.

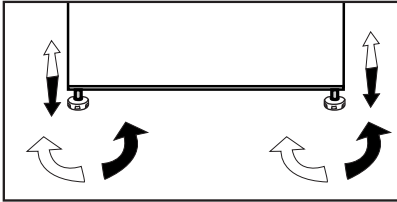
1. To install the wedges, remove the screws on the product and use the screws supplied together with the wedges.
2. Insert the 2 plastic wedges onto the rear ventilation cover as illustrated in the figure.



Installation

3.2. Adjusting the Feet

If the product stands unbalanced after installation, adjust the feet on the front by rotating them to the right or left.



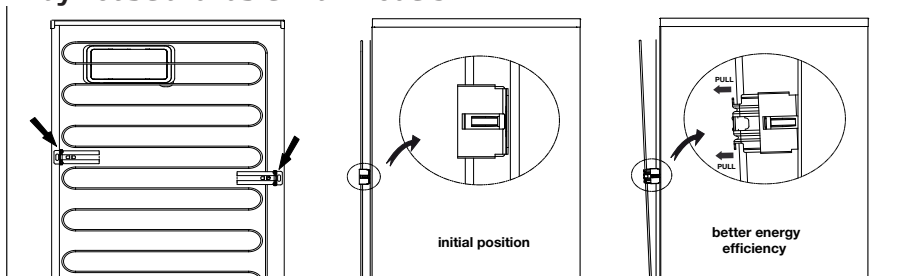
3.3. Electrical Connection

	WARNING: Do not make connections via extension cables or multi-plugs.
	WARNING: Damaged power cable must be replaced by the Authorized Service Agent.
	If two coolers are to be installed side by side, there should be at least 4 cm distance between them.

- Our company shall not be liable for any damages that will arise when the product is used without grounding and electrical connection in accordance with the national regulations.
- Power cable plug must be within easy reach after installation.
- Connect your refrigerator to a grounded outlet rated for a voltage value of 220-240V /50 Hz. Outlet shall have 10 to 16A fuse.
- Do not extension cords or cordless multiple outlets between your product and the wall outlet.

The condenser of your appliance is located on the back as shown below. In order to achieve better energy efficiency with lower energy consumption, please pull the condenser towards yourself as illustrated in picture below.

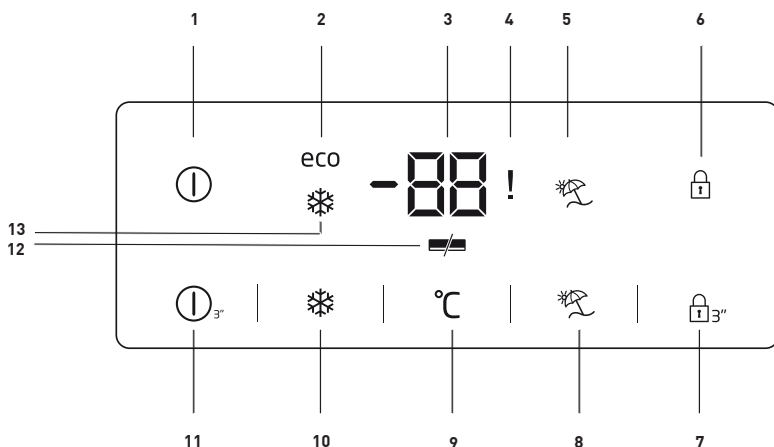
***may not be available in all models**



4 Preparation

- Your refrigerator should be installed at least 30 cm away from heat sources such as hobs, ovens, central heater and stoves and at least 5 cm away from electrical ovens and should not be located under direct sunlight.
- The ambient temperature of the room where you install your refrigerator should at least be 5°C. Operating your refrigerator under cooler conditions is not recommended with regard to its efficiency.
- Please make sure that the interior of your refrigerator is cleaned thoroughly.
- If two refrigerators are to be installed side by side, there should be at least 2 cm distance between them.
- When you operate your refrigerator for the first time, please observe the following instructions during the initial six hours.
- The door should not be opened frequently.
- It must be operated empty without any food in it.
- Do not unplug your refrigerator. If a power failure occurs out of your control, please see the warnings in the "Recommended solutions for the problems" section.
- Original packaging and foam materials should be kept for future transportations or moving.
- The baskets/drawers that are provided with the chill compartment must always be in use for low energy consumption and for better storage conditions.
- Food contact with the temperature sensor in the freezer compartment may increase energy consumption of the appliance. Thus any contact with the sensor(s) must be avoided.
- In some models, the instrument panel automatically turns off 5 minutes after the door has closed. It will be reactivated when the door has opened or pressed on any key.
- Due to temperature change as a result of opening/closing the product door during operation, condensation on the door/body shelves and the glass containers is normal

5 Operating the product



1. On/Off Indicator:

This icon (ⓘ) come on when the fridge is turned off. All the other icons turn off.

2. Economic Usage Indicator:

This icon (eco) comes on when the Fridge Compartment is set to 8°C which is the most economical set value. Economic Usage Indicator turns off when the Quick Fridge or Quick Freeze function is selected.

3. Fridge Compartment Temperature Setting Indicator:

Indicates the temperature set for the Fridge Compartment.

4. Power failure/High temperature / error warning indicator :

This light (⚡) illuminates during power failure, high temperature failures and error warnings. During sustained power failures, the highest temperature that

the fridge compartment reaches will flash on the digital display.

5. Vacation Indicator:

This icon (☂) lights up when the Vacation Function is active.

6. Key Lock Indicator:

This icon (🔒) lights up when the Key Lock mode is activated.

7. Key Lock Mode:

Press Key Lock (🔒₃) button continuously for 3 seconds. Key lock icon will light up and key lock mode will be activated. Buttons will not function if the Key Lock mode is active. Press Key Lock button continuously for 3 seconds again. Key lock icon will turn off and the key lock mode will be exited.



Figures in this user manual are schematic and may not match the product exactly. If the subject parts are not included in the product you have purchased, then those parts are valid for other models.

Operating the product

8. Vacation Function:

When you press Vacation button, vacation function (☼) is activated and vacation indicator lights. You can use this function when you will not use your fridge for a long time. Note that there should be no food inside your fridge, otherwise fridge can not preserve your food at Vacation mode.

If this function is activated, fridge compartment temperature is kept at 15 °C in order to prevent bad smelling. Press Vacation button again to deactivate vacation function.

9. Fridge Set Function:

This function (°C) allows you to make the Fridge compartment temperature setting. Press this button to set the temperature of the fridge compartment to 8,7,6,5,4,3, and 1 respectively.

10. Quick Fridge Function:

Quick Fridge indicator (❄) turns on when the Quick Fridge function is on. Press Quick Fridge button again to cancel this function. Quick Fridge indicator will turn off and normal settings will be resumed. Quick Fridge function will be cancelled automatically 1 hours later if you do not cancel it manually. If you want to cool plenty amount of fresh food, press Quick Fridge button before you place the food into the fridge compartment.

11. On/Off Function:

This function (Ⓜ) allows you to make the Fridge turn off when pressed for 3 seconds. The fridge could be turned on by pressing On/Off button for 3 seconds again.

12. Energy Saving Indicator :

If the product doors are kept closed for a long time energy saving function is automatically activated and energy saving symbol is illuminated. (■/■)

When energy saving function is activated, all symbols on the display other than energy saving symbol will turn off. When the Energy Saving function is activated, if any button is pressed or the door is opened, energy saving function will be canceled and the symbols on display will return to normal.

Energy saving function is activated during delivery from factory and cannot be canceled.

13. Quick Freeze Indicator :

This icon (❄) comes on when the Quick Freeze function is on.

Operating the product

5.1. Freezing fresh food

- In order to preserve the quality of the food, it shall be frozen as quickly as possible when it is placed in the freezer compartment, use the fast freezing feature for this purpose.
- You may store the food longer in freezer compartment when you freeze them while they are fresh.
- Pack the food to be frozen and close the packing so that it would not allow entrance of air.
- Ensure that you pack your food before putting them in the freezer. Use freezer containers, foils and moisture-proof papers, plastic bags and other packing materials instead of traditional packing papers.
- Label each pack of food by adding the date before freezing. You may distinguish the freshness of each food pack in this way when you open your freezer each time. Store the food frozen before in the front side of compartment to ensure that they are used first.



The freezer compartment defrosts automatically.

- Frozen food must be used immediately after they are thawed and they should not be re-frozen.
- Do not freeze too large quantities of food at one time.

Operating the product

Freezer Compartment Setting	Fridge compartment Setting	Remarks
-18°C	4°C	This is the normal recommended setting.
-20,-22 or -24°C	4°C	These settings are recommended when the ambient temperature exceeds 30°C.
Quick Freeze	4°C	Use when you wish to freeze your food in a short time. Your product will return to its previous mode when the process is over.
-18°C or colder	2°C	Use these settings if you think that your fridge compartment is not cold enough because of the hot ambient conditions or frequent opening and closing of the door.

5.2. Recommendations for preserving the frozen food

Compartment shall be set to -18°C at least.

1. Put packages in the freezer as quickly as possible after purchase without allowing the to thaw.
2. Check whether the "Use By" and "Best Before" dates on the packaging are expired or not before freezing it.
3. Ensure that the package of the food is not damaged.

5.3. Deep-freeze information

According to IEC 62552 standards, the product shall freeze at least 4.5 kg of food at 32°C ambient temperature to -18°C or lower within 24 hours for every 100-litres of freezer volume.

It is possible to preserve the food for a long time only at -18°C or lower temperatures.

You can keep the freshness of food for many months (at -18°C or lower temperatures in the deep freeze).

Foods to be frozen should not be allowed to come in contact with the previously frozen items to prevent them from getting thawed partially.

Boil the vegetables and drain their water in order to store vegetables for a longer time as frozen. After draining their water, put them in air-proof packages and place them inside the freezer. Food such as bananas, tomatoes, lettuce, celery, boiled eggs, potatoes are not suitable for freezing. When these foods are frozen, only their nutritional value and taste shall be affected negatively. They shall not be spoiled so that they would create a risk for human health.

Operating the product

5.4. Placing the food

Freezer compartment shelves	Various frozen food such as meat, fish, ice cream, vegetables and etc.
Refrigerator compartment shelves	Food in pans, covered plates and closed containers, eggs (in closed container)
Door shelves of fridge compartment	Small and packaged food or beverage
Crisper	Vegetables and fruits
Fresh zone compartment	Delicatessen (breakfast food, meat products that shall be consumed in a short time)

5.6. Changing the door opening direction

Door opening direction of your refrigerator can be changed according to the place you are using it. If this is necessary, please call your nearest Authorized Service.

Above description is a general expression. For information on changing the opening direction of the door, you must refer to the warning label located on the inner side of the door.

5.5. Door open warning (This feature is optional)

An audio warning signal will be given when the door of your product is left open for at least 1 minute. This warning will be muted when the door is closed or any of the display buttons (if any) are pressed.

Door open warning is given to user both visually and acoustically. If the warning continues for 10 minutes, interior lights will be turned off.

Operating the product

Using the water dispenser

* May not be available in all models



It is normal for the first few glasses of water taken from the dispenser to be warm.

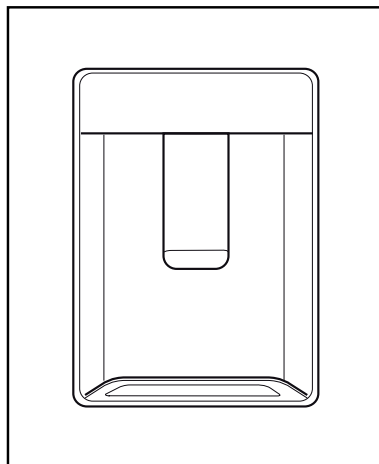


If the water dispenser is not used for a long period of time, dispose of first few glasses of water to obtain fresh water.

1. Push in the lever of the water dispenser with your glass. If you are using a soft plastic cup, pushing the lever with your hand will be easier.
2. After filling the cup up to the level you want, release the lever.



Please note, how much water flows from the dispenser depends on how far you depress the lever. As the level of water in your cup / glass rises, gently reduce the amount of pressure on the lever to avoid overflow. If you slightly press the arm, the water will drip; this is quite normal and not a failure.



Operating the product

Filling the water dispenser's tank

Water tank filling reservoir is located inside the door rack.

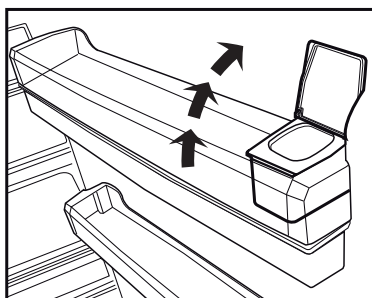
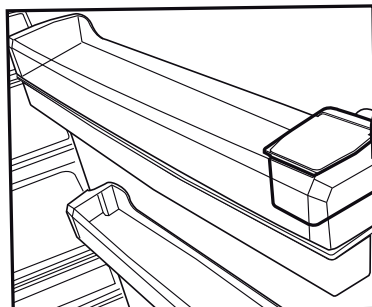
1. Open the cover of the tank.
2. Fill the tank with fresh drinking water.
3. Close the cover.



Do not fill the water tank with any other liquid except for water such as fruit juices, carbonated beverages or alcoholic drinks which are not suitable to use in the water dispenser. Water dispenser will be irreparably damaged if these kinds of liquids are used. Warranty does not cover such usages. Some chemical substances and additives contained in these kinds of drinks/liquids may damage the water tank.



Use clean drinking water only.



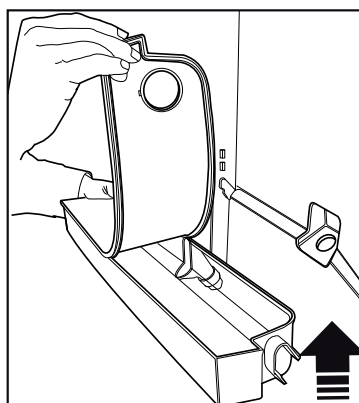
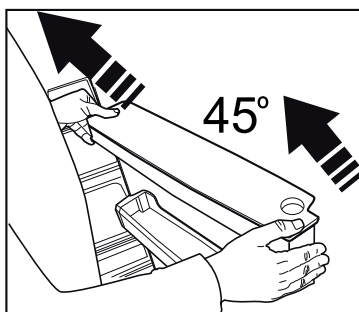
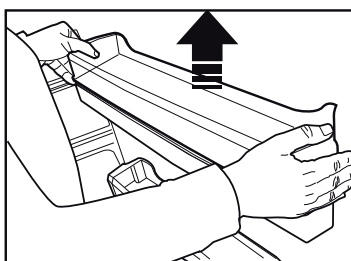
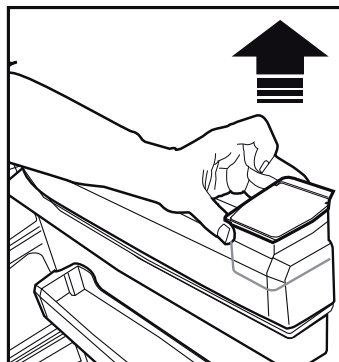
Operating the product

i Capacity of the water tank is 3 litres; do not overfill.

Cleaning the water tank

1. Remove the water filling reservoir inside the door rack.
2. Remove the door rack by holding from both sides.
3. Grab the water tank from both sides and remove it with an angle of 45°.
4. Remove the cover of the water tank and clean the tank.

i Components of the water tank and water dispenser should not be washed in dishwasher.



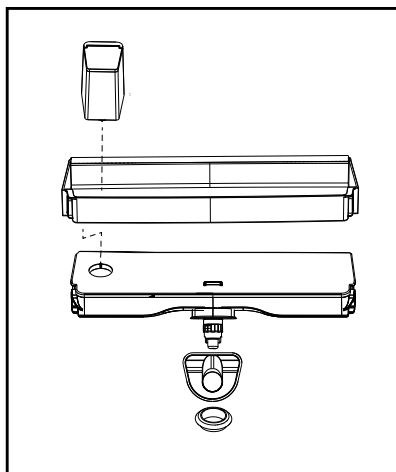
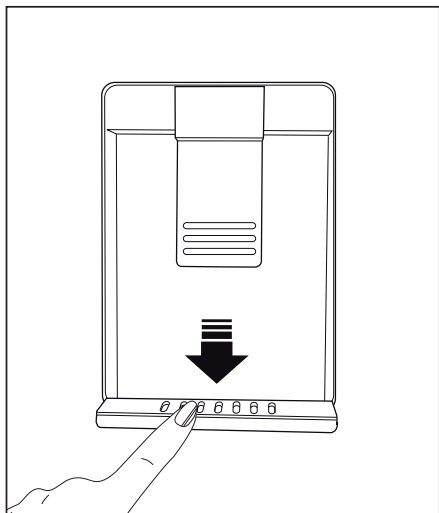
Operating the product

Drip tray

Water that dripped while using the water dispenser accumulates in the spillage tray.

Remove the plastic filter as shown in the figure.

With a clean and dry cloth, remove the water that has accumulated.



Cleaning your fridge at regular intervals will extend the service life of the product.



WARNING:

Unplug the product before cleaning it.

- Never use gasoline, benzene or similar substances for cleaning purposes.
- Never use any sharp and abrasive tools, soap, household cleaners, detergent and wax polish for cleaning.
- For non-No Frost products, water drops and frosting up to a fingerbreadth occur on the rear wall of the Fridge compartment. Do not clean it; never apply oil or similar agents on it.
- Only use slightly damp microfiber cloths to clean the outer surface of the product. Sponges and other types of cleaning cloths may scratch the surface
- Dissolve one teaspoon of bi-carbonate in half litre of water. Soak a cloth with the solution and wrung it thoroughly. Wipe the interior of the refrigerator with this cloth and the dry thoroughly.
- Make sure that no water enters the lamp housing and other electrical items.
- If you will not use the refrigerator for a long period of time, unplug it, remove all food inside, clean it and leave the door ajar.
- Check regularly that the door gaskets are clean. If not, clean them.
- To remove door and body shelves, remove all of its contents.
- Remove the door shelves by pulling them up. After cleaning, slide them from top to bottom to install.

- Never use cleaning agents or water that contain chlorine to clean the outer surfaces and chromium coated parts of the product. Chlorine causes corrosion on such metal surfaces.

6.1 Avoiding bad odours

- Materials that may cause odour are not used in the production of our refrigerators. However, due to inappropriate food preserving conditions and not cleaning the inner surface of the refrigerator as required can bring forth the problem of odour. Pay attention to following to avoid this problem:
 - Keeping the refrigerator clean is important. Food residuals, stains, etc. can cause odour. Therefore, clean the refrigerator with bi-carbonate dissolved in water every few months. Never use detergents or soap.
 - Keep the food in closed containers. Microorganisms spreading out from uncovered containers can cause unpleasant odours.
 - Never keep the food that have passed best before dates and spoiled in the refrigerator.

6.2 Protecting the plastic surfaces

Do not put liquid oils or oil-cooked meals in your refrigerator in unsealed containers as they damage the plastic surfaces of the refrigerator. If oil is spilled or smeared onto the plastic surfaces, clean and rinse the relevant part of the surface at once with warm water.

7 Troubleshooting

Check this list before contacting the service. Doing so will save you time and money. This list includes frequent complaints that are not related to faulty workmanship or materials. Certain features mentioned herein may not apply to your product.

The refrigerator is not working.

- The power plug is not fully settled. >>> Plug it in to settle completely into the socket.
- The fuse connected to the socket powering the product or the main fuse is blown. >>> Check the fuses.

Condensation on the side wall of the cooler compartment (MULTI ZONE, COOL, CONTROL and FLEXI ZONE).

- The door is opened too frequently >>> Take care not to open the product's door too frequently.
- The environment is too humid. >>> Do not install the product in humid environments.
- Foods containing liquids are kept in unsealed holders. >>> Keep the foods containing liquids in sealed holders.
- The product's door is left open. >>> Do not keep the product's door open for long periods.
- The thermostat is set to too low temperature. >>> Set the thermostat to appropriate temperature.

Compressor is not working.

- In case of sudden power failure or pulling the power plug off and putting back on, the gas pressure in the product's cooling system is not balanced, which triggers the compressor thermic safeguard. The product will restart after approximately 6 minutes. If the product does not restart after this period, contact the service.

- Defrosting is active. >>> This is normal for a fully-automatic defrosting product. The defrosting is carried out periodically.
- The product is not plugged in. >>> Make sure the power cord is plugged in.
- The temperature setting is incorrect. >>> Select the appropriate temperature setting.
- The power is out. >>> The product will continue to operate normally once the power is restored.

The refrigerator's operating noise is increasing while in use.

- The product's operating performance may vary depending on the ambient temperature variations. This is normal and not a malfunction.

The refrigerator runs too often or for too long.

- The new product may be larger than the previous one. Larger products will run for longer periods.
- The room temperature may be high. >>> The product will normally run for long periods in higher room temperature.
- The product may have been recently plugged in or a new food item is placed inside. >>> The product will take longer to reach the set temperature when recently plugged in or a new food item is placed inside. This is normal.
- Large quantities of hot food may have been recently placed into the product. >>> Do not place hot food into the product.
- The doors were opened frequently or kept open for long periods. >>> The warm air moving inside will cause the product to run longer. Do not open the doors too frequently.

Troubleshooting

- The freezer or cooler door may be ajar. >>> Check that the doors are fully closed.
- The product may be set to temperature too low. >>> Set the temperature to a higher degree and wait for the product to reach the adjusted temperature.
- The cooler or freezer door washer may be dirty, worn out, broken or not properly settled. >>> Clean or replace the washer. Damaged / torn door washer will cause the product to run for longer periods to preserve the current temperature.

The freezer temperature is very low, but the cooler temperature is adequate.

- The freezer compartment temperature is set to a very low degree. >>> Set the freezer compartment temperature to a higher degree and check again.

The cooler temperature is very low, but the freezer temperature is adequate.

- The cooler compartment temperature is set to a very low degree. >>> Set the freezer compartment temperature to a higher degree and check again.

The food items kept in cooler compartment drawers are frozen.

- The cooler compartment temperature is set to a very low degree. >>> Set the freezer compartment temperature to a higher degree and check again.

The temperature in the cooler or the freezer is too high.

- The cooler compartment temperature is set to a very high degree. >>> Temperature setting of the cooler compartment has an effect on

the temperature in the freezer compartment. Wait until the temperature of relevant parts reach the sufficient level by changing the temperature of cooler or freezer compartments.

- The doors were opened frequently or kept open for long periods. >>> Do not open the doors too frequently.
- The door may be ajar. >>> Fully close the door.
- The product may have been recently plugged in or a new food item is placed inside. >>> This is normal. The product will take longer to reach the set temperature when recently plugged in or a new food item is placed inside.
- Large quantities of hot food may have been recently placed into the product. >>> Do not place hot food into the product.

Shaking or noise.

- The ground is not level or durable. >>> If the product is shaking when moved slowly, adjust the stands to balance the product. Also make sure the ground is sufficiently durable to bear the product.
- Any items placed on the product may cause noise. >>> Remove any items placed on the product.

The product is making noise of liquid flowing, spraying etc.

- The product's operating principles involve liquid and gas flows. >>> This is normal and not a malfunction.

There is sound of wind blowing coming from the product.

- The product uses a fan for the cooling process. This is normal and not a malfunction.

Troubleshooting

There is condensation on the product's internal walls.

- Hot or humid weather will increase icing and condensation. This is normal and not a malfunction.
- The doors were opened frequently or kept open for long periods. >>> Do not open the doors too frequently; if open, close the door.
- The door may be ajar. >>> Fully close the door.

There is condensation on the product's exterior or between the doors.

- The ambient weather may be humid, this is quite normal in humid weather. >>> The condensation will dissipate when the humidity is reduced.

The interior smells bad.

- The product is not cleaned regularly. >>> Clean the interior regularly using sponge, warm water and carbonated water.
- Certain holders and packaging materials may cause odour. >>> Use holders and packaging materials without free of odour.
- The foods were placed in unsealed holders. >>> Keep the foods in sealed holders. Micro-organisms may spread out of unsealed food items and cause malodour. Remove any expired or spoiled foods from the product.

The door is not closing.

- Food packages may be blocking the door. >>> Relocate any items blocking the doors.
- The product is not standing in full upright position on the ground. >>> Adjust the stands to balance the product.

- The ground is not level or durable. >>> Make sure the ground is level and sufficiently durable to bear the product.

The vegetable bin is jammed.

- The food items may be in contact with the upper section of the drawer. >>> Reorganize the food items in the drawer.

If The Surface Of The Product Is Hot.

- High temperatures may be observed between the two doors, on the side panels and at the rear grill while the product is operating. This is normal and does not require service maintenance! Be careful when touching these areas.

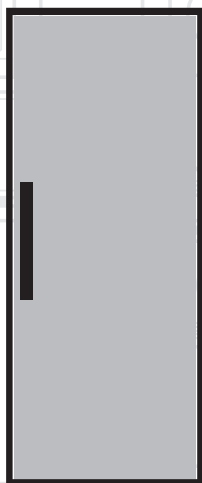


WARNING:

If the problem persists after following the instructions in this section, contact your vendor or an Authorised Service. Do not try to repair the product.

Mraznička

Návod k použití



cz |

beko

Vážení zákazníci,

Rádi bychom Vám poskytli možnost k dosažení optimální účinnosti našeho výrobku, který byl vyroben v moderních zařízeních s důkladnou kontrolou kvality.

Za tímto účelem si před použitím výrobku prosím pozorně přečtete celou příručku a uschovejte si ji jako referenční zdroj. Jestliže výrobek předáte jiné osobě, poskytněte tento návod spolu s výrobkem.

Uživatelská příručka zajistí rychlé a bezpečné používání výrobku.

- Před instalací a použitím výrobku si prosím přečtete uživatelskou příručku.
- Vždy dodržujte platné bezpečnostní předpisy.
- Mějte uživatelskou příručku v dosahu pro budoucí použití.
- Přečtete si prosím všechny další dokumenty dodané s výrobkem.

Nezapomínejte, že tato Uživatelská příručka se může vztahovat na více modelů výrobků. Příručka jasně ukáže všechny variace různých modelů.

Symbols a poznámky

V uživatelské příručce jsou používány následující symboly:

	Důležité informace a užitečné tipy.
	Nebezpečí života a majetku.
	Riziko zranění elektrickým proudem.
	Obal tohoto výrobku je vyroben z recyklovatelných materiálů, v souladu s Národní legislativou pro životní prostředí.

1 Bezpečnostní pokyny a životní prostředí **4**

Všeobecná bezpečnost	4
Účel použití	6
Bezpečnost dětí.....	6
Soulad se směrnicí WEEE a Odstranění odpadů výrobku	7
Soulad se směrnicí RoHS.....	7
Informace o balení	7

2 Vaše chladnička **8**

3 Instalace **9**

Body ke zvážení při přepravě chladničky	9
Než chladničku zapnete	9
Zapojení do sítě.....	10
Likvidace obalu.....	10
Likvidace vaší staré chladničky	10
Umístění a instalace.....	10

4 Příprava **11**

5 Obsluha produktu **12**

Mražení čerstvých potravin	14
Doporučení pro uschování mražených potravin	15
Vkládání potravin	15
Informace o hloubkovém mražení	15
Změna směru otvoru dveří.....	16
Varování na otevření dveří.....	16
Použití dávkovače vody.....	17
Plnění nádrže dávkovače na vodu	17
Čištění nádrže na vodu	18
Odkapávací zásobník.....	19

6 Údržba a čištění **20**

7 Řešení problémů **21**

1 Bezpečnostní pokyny a životní prostředí

Tato část obsahuje bezpečnostní pokyny nezbytné pro zabránění nebezpečí zranění a materiálních škod. Nedodržením těchto pokynů zanikají všechny typy záruky výrobku.

Určené použití

UPOZORNĚNÍ:

V případě, že je zařízení v ochranné fázi nebo umísteno, ujistěte se, zda nejsou odvětrávací dírky uzavřeny.

UPOZORNĚNÍ:

Za účelem urychlení rozpouštění ledu nepoužívejte žádné jiné mechanické zařízení nebo jiný přístroj než ty jež byly doporučeny výrobcem.

UPOZORNĚNÍ:

Pokud je chladidlo v provozu, nezasahujte do jeho obvodu.

UPOZORNĚNÍ:

Uvnitř skladovacích prostor jídla přístroje nepoužívejte jiná elektrická zařízení než ta, která byla doporučena výrobcem.

Toto zařízení bylo navrženo pro použití v domácnosti nebo pro níže uvedené aplikování.

- V kuchyních personálu obchodů, kanceláří a jiných pracovních míst;
- Za účelem použití návštěvníků farem a hotelů, motelů

a jiných míst s ubytováním.

- V prostorách typu penzionů
- V podobných zařízeních, která nejsou stravovacími službami nebo maloobchodem.

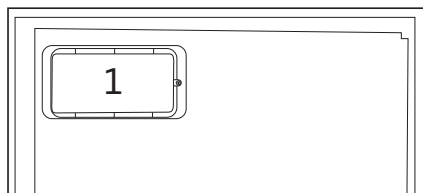
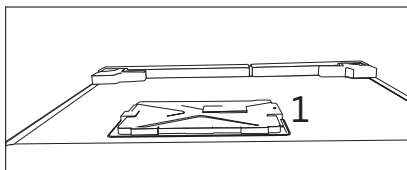
1.1. Všeobecná bezpečnost

- Tento produkt by neměly používat osoby s tělesným, smyslovým a mentálním postižením, osoby bez dostatečných znalostí a zkušeností, nebo děti. Zařízení mohou tyto osoby používat jen pod dohledem a po poučení osobou odpovědnou za jejich bezpečnost. Nedovolte dětem hrát si s tímto zařízením.
- V případě poruchy přístroj odpojte.
- Po odpojení počkejte nejméně 5 minut před opětovným připojením. Odpojte výrobek, když se nepoužívá. Nedotýkejte se zástrčky mokřýma rukama! Při odpojování netahejte za kabel, vždy uchopte zástrčku.
- Před zasunutím dovnitř otřete hrot síťové zástrčky suchým hadříkem.
- Nezapojujte ledničku, pokud je zásuvka uvolněná.
- Při instalaci, údržbě, čištění a opravách odpojte výrobek.
- Pokud se výrobek nebude delší dobu používat, odpojte jej a vyjměte potraviny.
- Nepoužívejte páru nebo čisticí prostředky s párou pro čištění chladničky a tání ledu uvnitř. Pára může přijít do styku s elektrifikovanými oblastmi a způsobit zkrat nebo elektrický

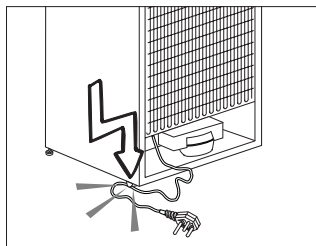
Bezpečnostní pokyny a životní prostředí

šok!

- Nemyjte výrobek stříkáním nebo poléváním vodou na něj! Nebezpečí úrazu elektrickým proudem!
- Nikdy nepoužívejte výrobek, pokud část nacházející se na horní nebo zadní straně výrobku s elektronickou deskou s plošným spojem uvnitř je otevřená (krycí deska elektronických plošných spojů) (1).



- V případě jeho poruchy výrobek nepoužívejte, protože by mohlo dojít k úrazu elektrickým proudem. Před tím, než cokoliv uděláte, se obraťte na autorizovaný servis.
- Výrobek zapojte do uzemněné zásuvky. Uzemnění musí být provedeno kvalifikovaným elektrikářem.
- Pokud produkt má osvětlení typu LED, pro jeho nahrazení nebo v případě jakéhokoliv problému se obraťte na autorizovaný servis.
- Nedotýkejte se mražených potravin mokřýma rukama! Mohou se nalepit na Vaše ruce!
- Nepokládejte do mrazničky tekutiny v lahvích a plechovkách. Mohou vybuchnout!
- Tekutiny umístěte ve vzpřímené poloze a pevně uzavřete jejich víko.
- Nestříkejte hořlavé látky v blízkosti výrobku, protože se může zapálit nebo explodovat.
- Nenechávejte hořlavé materiály a produkty s hořlavým plynem (spreje, atd.) v chladničce.
- Nepokládejte nádoby obsahující kapaliny na horní část výrobku. Voda stříkající na elektrifikované části může způsobit úraz elektrickým proudem a nebezpečí požáru.
- Vystavení produktu dešti, sněhu, slunci a větru může způsobit elektrické nebezpečí. Při přemísťování výrobku jej netahejte držení za rukojeť dveří. Rukojeť se může odtrhnout.
- Dbejte na to, aby nedošlo k zachycení jakékoliv části vašich rukou či těla do jakýchkoli z pohybujících se částí uvnitř výrobku.
- Nevylézejte nebo se neopírejte o dveře, zásuvky a podobné části chladničky. Může to mít za následek pád výrobku a způsobit poškození dílů.
- Dávejte pozor, aby nedošlo k přivření napájecího kabelu.



1.1.1 Varování HC

Jestliže výrobek obsahuje chladicí systém ve kterém se používá plyn R600a, zajistěte, aby při používání a pohybování spotřebiče nedošlo k poškození chladicího systému a jeho potrubí. Tento plyn je hořlavý. Pokud je chladicí systém poškozen, zajistěte, aby bylo zařízení mimo dosah zdrojů ohně a okamžitě vyvětrejte místnost.



Štítek na vnitřní levé straně označuje druh plynu používaného v produktu.

1.1.2 Pro modely s dávkovačem vody

- Tlak pro přívod studené vody musí být maximálně 90 psi (620 kPa). Pokud je váš tlak vody vyšší než 80 psi (550 kPa), použijte ve vaší síti ventil na omezování tlaku. Pokud nevíte, jak zkontrolovat tlak vody, požádejte o pomoc profesionálního instalatéra.
- Pokud při instalaci existuje riziko vodního rázu, vždy použijte preventivně zařízení proti vodnímu rázu. Pokud jste si není jistý, zda ve Vaší síti je

efekt vodního rázu, poradte se s profesionálním instalátérem.

- Neinstalujte na přívodu pro teplou vodu. Proveďte nezbytná opatření proti riziku zamrznutí hadic. Provozní interval teplota vody musí být mezi minimálně 33 ° F (0,6 ° C) a maximálně 100 ° F (38 ° C).
- Používejte pouze pitnou vodu.

1.2. Účel použití

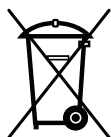
- Tento výrobek je určen pro domácí použití. Není určen pro komerční použití.
- Spotřebič by měl být používán pouze pro skladování potravin a nápojů.
- Do chladničky neukládejte citlivé produkty, které vyžadují řízené teploty (očkovací látky, léky citlivé na teplo, zdravotnický materiál, atd.).
- Výrobce nenese žádnou zodpovědnost za případné škody způsobené nesprávným použitím nebo nesprávnou manipulací.
- Životnost výrobku je 10 let. Náhradní díly potřebné pro funkčnost tohoto výrobku budou pro toto období k dispozici.

1.3. Bezpečnost dětí

- Obalové materiály uchovávejte mimo dosah dětí.
- Nedovolte dětem, aby se s výrobkem hrály.
- Pokud je na dveřích výrobku zámek, klíč držte mimo dosah dětí.

1.4. Soulad se směrnicí WEEE a Odstranění odpadů výrobku

Tento výrobek splňuje požadavky směrnice WEEE EU (2012/19/EU). Na tomto produktu je zobrazen symbol klasifikace odpadu elektrických a elektronických zařízení (OEEZ).



Tento výrobek byl vyroben z vysoce kvalitních materiálů a komponent, které lze opětovně použít a které jsou vhodné pro recyklaci. Na konci své životnosti spotřebič nevyhazujte spolu s běžnými domácími a jinými odpady. Odneste jej do sběrného centra pro recyklaci elektrických a elektronických zařízení. Pro informace o těchto sběrných střediscích se prosím obraťte na místní úřady.

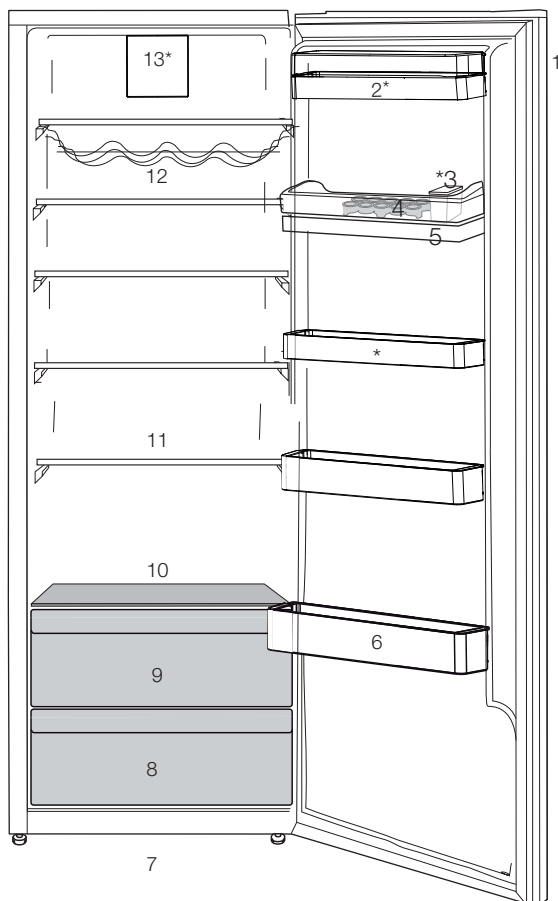
1.5. Soulad se směrnicí RoHS

- Tento výrobek splňuje požadavky směrnice WEEE EU (2011/65/EU). Neobsahuje škodlivé a zakázané látky uvedené ve směrnici.

1.6. Informace o balení

- Obalové materiály výrobku jsou vyrobeny z recyklovatelných materiálů v souladu s našimi národními předpisy o životním prostředí. Nevyhazujte obalové materiály spolu s domácími nebo jinými odpady. Vezměte je do sběrných míst pro obalové materiály určené místními orgány.

2 Vaše chladnička



1. Displej
2. Příhrádka na máslo a sýr
3. Plnicí nádrž dávkovače vody
4. Držák na vajíčka
5. Zásobník dávkovače vody
6. Příhrádka na lahve
7. Nastavitelné přední nožičky
8. Prostor pro čerstvé potraviny
9. Prostor chlazení
10. Skleněná police na příhrádky
11. Nastavitelné police
12. Držák na lahve
13. Ventilátor

*** Nemusí být k dispozici u všech modelů**



Obrázky uvedené v tomto návodu k použití jsou schematické a nemusí přesně korespondovat s vaším výrobkem. Pokud zobrazené části nejsou obsaženy v produktu, který jste zakoupili, jde o součásti jiných modelů.

3 Instalace



UPOZORNĚNÍ: Nezapomeňte, že výrobce neodpovídá za nedodržení informací uvedených v návodu k použití.

3.1. Body ke zvážení při přepravě chladničky

1. Chladničku je nutno vyprázdnit a vyčistit před jakoukoli přepravou.
2. Police, příslušenství, prostor pro čerstvé potraviny atd. v chladničku je nutno řádně upoutat lepicí páskou, aby nedocházelo k vibracím.
3. Obaly je nutno upevnit silnými páskami a lany a je nutno dodržovat pravidla pro přepravu vytištěná na obalu.

Nezapomeňte...

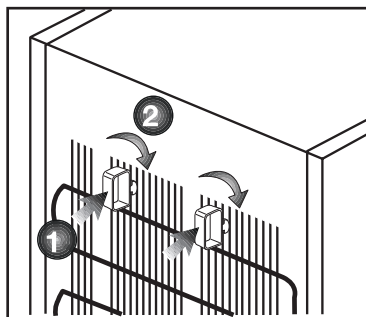
Každý recyklovaný materiál je nezbytný zdroj pro přírodu a naše národní zdroje.

Pokud chcete přispět k recyklaci obalových materiálů, další informace získáte od orgánů ochrany životního prostředí nebo místních úřadů.

3.2. Než chladničku zapnete

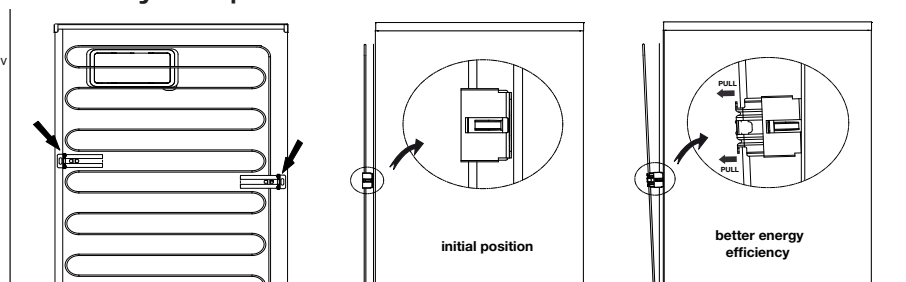
Než začnete používat chladničku, zkontrolujte následující:

1. Je vnitřek chladničky suchý a může za ní volně obíhat vzduch?
2. Oba plastové klíčky nainstalujte podle obrázku. Plastové klíčky zajistí potřebnou vzdálenost mezi vaší chladničkou a zdí, aby se zajistilo proudění vzduchu. (Uvedený obrázek je jen příklad a neshoduje se přesně s vaším výrobkem.)
3. Vyčistěte vnitřek chladničky podle kapitoly „Údržba a čištění“.



- Kondenzátor Vašeho přístroje se nachází v zadní části, jak je zobrazeno níže. Abyste dosáhli lepší účinnosti s nižší spotřebou energie, vysuňte kondenzátor směrem k sobě, tak jak je zobrazeno na obrázku níže. Pozice kondenzátoru bude pevně upevněna pomocí uzamykacího mechanismu horních držáků po každé straně.

* Nemusí být k dispozici u všech modelů



Instalace

4. Zapojte chladničku do sítě. Po otevření dvířek se rozsvítí vnitřní osvětlení prostoru chladničky.
5. Uslyšíte hluk při startování kompresoru. Kapalina a plyn v chladicí soustavě mohou také vydávat zvuky, i když kompresor neběží, což je poměrně normální.
6. Přední kraje chladničky mohou být teplé. Je to zcela normální. Tyto oblasti mají být teplé, aby nedocházelo ke kondenzaci.

3.3. Zapojení do sítě

Připojte výrobek k uzemněné zásuvce, která je chráněna pojistkou vhodné kapacity.

Důležité:

- Spojení musí být v souladu s národními předpisy.
- Napájecí kabel musí být po instalaci snadno dostupný.
- Specifikované napětí musí být rovné napětí v síti.
- K připojení nepoužívejte prodlužovací kabely a vícecestné zásuvky.



UPOZORNĚNÍ:

Poškozený napájecí kabel musí vyměnit kvalifikovaný elektrikář.



UPOZORNĚNÍ:

Výrobek nesmíte používat, dokud není opraven! Hrozí riziko zásahu elektrickým proudem!

3.4. Likvidace obalu

Obalové materiály mohou být pro děti nebezpečné. Udržujte materiály mimo dosah dětí nebo je zlikvidujte v souladu s pokyny zpracování odpadů. Nelikvidujte je s běžným domovním odpadem.

Balení chladničky je z recyklovatelných materiálů.

3.5. Likvidace vaší staré chladničky

Starou chladničku zlikvidujte tak, abyste neohrozili životní prostředí

- Informace o likvidaci chladničky získáte u autorizovaného prodejce nebo odpadového odboru vašeho města.

Před likvidací vaší chladničky odřízněte zástrčku a v případě, že jsou na dveřích zámky, zneškodněte je, aby nedošlo k ohrožení dětí.

3.6. Umístění a instalace



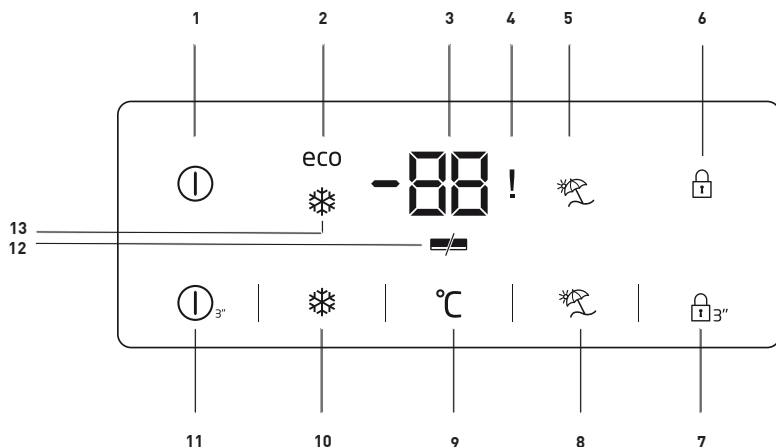
Pokud nejsou vstupní dveře do místnosti, v níž chladničku nainstalujete, dostatečně široké, aby chladnička prošla, kontaktujte autorizovaný servis a nechte sejmut dveře chladničky a protáhněte je bokem.

1. Chladničku umístěte na místo, které umožňuje snadnou obsluhu.
2. Chladničku umístěte mimo zdroje tepla, vlhka a přímé světlo.
3. Kolem chladničky musí být dostatečný prostor pro ventilaci, aby se zajistila účinnost provozu. Pokud máte chladničku umístit do výklenku, musí být nejméně 5 cm od stropu a 5 cm od stěn. Pokud je na podlaze koberec, musíte zvednout produkt o 2,5 cm nad zem.
4. Umístěte chladničku na rovnou podlahu, aby nedocházelo ke kymácení.

4 Příprava

- Chladničku instalujte nejméně 30 cm od zdrojů tepla, jako jsou varné desky, trouby, ústřední topení a sporáky a nejméně 5 cm od elektrických trub, neumísťte ji na přímé sluneční světlo.
- Teplota prostředí v místnosti, kde instalujete chladničku, by měla být nejméně 5°C. Používání chladničky za chladnějších podmínek se nedoporučuje vzhledem k její účinnosti.
- Zajistěte, aby byl vnitřek vaší chladničky důkladně vyčištěn.
- Pokud vedle sebe instalujete dvě chladničky, měl by mezi nimi být rozstup nejméně 2 cm.
- Když spustíte chladničku poprvé, dodržujte následující pokyny během prvních šesti hodin.
- Dveře neotevírejte často.
- Musí běžet prázdná bez vkládání potravin.
- Neodpojujte chladničku. Pokud dojde k výpadku energie, prostudujte si varování v kapitole "Doporučená řešení problémů".
- Vždy používejte koše/zásuvky poskytované s chladicím prostorem v zájmu nízké spotřeby energie a lepších podmínek skladování.
- Styk potravin s čidlem teploty v mrazničce může zvýšit spotřebu energie zařízení. Zabraňte tedy jakémukoliv kontaktu s čidlem (čidly).
- Původní obaly a pěnové materiály uschovejte pro budoucí přepravu či přesun.
- U některých modelů se přístrojová deska automaticky vypne po 5 minutách po tom, jak byly dveře uzavřeny. Opět se aktivuje, když se dveře otevřou nebo po stisknutí libovolné klávesy.
- Vzhledem ke změně teploty v důsledku otevření/zavření dveří během provozu je běžné, že se na dveřích/poličkách a skleněných nádobách objeví kondenzace.

5 Obsluha produktu



1. Kontrolka Zap./Vyp.

Tato ikona (ⓘ) se rozsvítí, když se chladnička vypne. Všechny ostatní ikony zhasnou.

2. Kontrolka ekonomického využití:

Tato ikona (eco) se rozsvítí, je-li chladnička nastaven na 8°C, což je nejúspornější nastavená hodnota. Kontrolka ekonomického využití zhasne, zvolíte-li funkci rychlého chlazení či rychlého mrazení.

3. Prostor chladničky - ukazatel nastavení teploty

Označuje teplotu nastavenou v chladničce.

4. Kontrolka výpadku napájení/ vysoké teploty/výstrahy na vysokou teplotu/chybu:

Tato kontrolka (!) se rozsvítí při poruchách způsobených výpadkem

napájení, vysokými teplotami a při chybových hlášeních. Během setrvalých výpadků napájení se nejvyšší teplota, které chladnička dosáhne, rozblíká na digitálním displeji.

5. Ukazatel dovolená:

Tato ikona (☀) se rozsvítí, když je aktivní funkce Dovolená.

6. Kontrolka zámku tlačítek:

Tato ikona (🔒) se rozsvítí když je aktivní funkce zámku.

7. Režim zámku tlačítek:

Tlačítko (🔒_{3''}) držte po dobu 3 sekund. Ikona zámku tlačítek se rozsvítí a aktivuje se režim zámku tlačítek. Tlačítka nebudou funkční v režimu zámku tlačítek. Znovu stiskněte tlačítko zámku tlačítek na 3 sekundy. Ikona zámku tlačítek zhasne a ukončí se režim zámku tlačítek.



Obrázky uvedené v tomto návodu k použití jsou schematické a nemusí přesně korespondovat s vaším výrobkem. Pokud zobrazené části nejsou obsaženy v produktu, který jste zakoupili, jde o součásti jiných modelů.

8. Funkce Dovolená:

Když stisknete tlačítko Dovolená, aktivuje se funkce Dovolená (☞) a rozsvítí se kontrolka Dovolená. Tuto funkci můžete použít, když nebudete chladničku dlouhou dobu používat. Upozorňujeme, že v chladničce nesmí zůstat žádné jídlo, v takovém případě chladnička v režimu Dovolená vaše jídlo neuchová.

Je-li tato funkce aktivovaná, teplota v prostoru chladničky zůstane na 15 °C, aby se předešlo vzniku zápachu. Dalším stiskem tlačítka dovolená funkci dovolená vypnete.

9. Funkce nastavení chladničky:

Tato funkce (°C) vám umožňuje provádět nastavení teploty prostoru chladničky. Stiskem tohoto tlačítka nastavíte teplotu prostoru chladničky na 8,7,6,5,4,3 a 1.

10. Funkce rychlého chlazení:

Kontrolka Rychlé chlazení (❄) se rozsvítí, když spustíte funkci Rychlé chlazení. Funkci zrušíte dalším stiskem tlačítka Rychlé chlazení. Ukazatel rychlého chlazení zhasne a obnoví se normální nastavení. Funkce Rychlé chlazení se zruší automaticky o 1 hodinu později, pokud ji nezrušíte manuálně. Pokud chcete zchladit velké množství čerstvých potravin, stiskněte tlačítko rychlého chlazení před vložením potravin do prostoru chladničky.

11. Funkce Zap./Vyp.:

Tato funkce (Ⓜ) vám umožňuje vypnout chladničku, budete-li ji tisknout po dobu 3 sekund. Chladničku lze zapnout tisknutím tlačítka zapnutí/vypnutí opět po dobu 3 sekund.

12. Ukazatel úspory energie:

Jsou-li dveře produktu ponechány zavřené dlouhou dobu, automaticky se aktivuje funkce úspory energie a rozsvítí se příslušný symbol. (⏻)

Když je funkce úspora energie aktivní, všechny ostatní symboly na displeji zhasnou. Když je aktivována funkce úspory energie, pokud stisknete jakékoli tlačítko nebo otevřete dvířka, režim úspory energie se ukončí a ikony na displeji se vrátí do normálu.

Funkce úspory energie se aktivuje během doručení z továrny a nelze ji zrušit.

13. Kontrolka Rychlé mrazení:

Tato ikona (❄) se rozsvítí když spustíte funkci rychlého mrazení.

Používání chladničky

Nastavení mrazničky	Nastavení chladničky	Vysvětlivky
-18°C	4°C	Toto je normální doporučené nastavení.
-20, -22 nebo -24°C	4°C	Tato nastavení jsou doporučena, pokud teplota prostředí přesáhne 30°C.
Rychlé mrazení	4°C	Toto nastavení použijte, pokud chcete rychle zmrazit potraviny. Jakmile proces skončí, chladnička se vrátí na předchozí režim.
-18°C chladněji nebo	2°C	Pokud se domníváte, že v chladničce není dostatečně chladno kvůli vysoké teplotě nebo častému otevírání a zavírání dveří.
-18°C chladněji nebo	Rychlé mrazení	Můžete je použít, když je prostor chladničky přeplněný nebo chcete rychle ochladit potraviny. Doporučujeme aktivovat funkci rychlého mrazení 4-8 hodin před vložením potravin.

5.1. Mrazení čerstvých potravin

- Je nutno zabalit nebo zakrýt potraviny, než je umístíte do chladničky.
 - Horké potraviny je nutno zchladit na pokojovou teplotu, než je vložíte do chladničky.
 - Potraviny, které chcete zmrazit, musejí být čerstvé a kvalitní.
 - Potraviny je nutno rozdělit na části podle potřeb rodiny na den či jednotlivé jídlo.
 - Potraviny je nutno vzduchotěsně zabalit, aby nevyschly, i když je chcete skladovat krátce.
 - Materiály, které použijete na balení, musejí být pevné a odolné vůči chladu, vlhkosti, zápachu, oleji a kyselinám, měly by být i vzduchotěsné. Navíc mají být uzavřené a vyrobeny z materiálů, které se snadno používají a jsou vhodné pro hloubkové mrazení.
1. Mražené potraviny je nutno použít rychle poté, co rozmrznou, neměly by se znovu mrazit.
 2. Pro dosažení nejlepších výsledků prosím dodržujte následující pokyny.
 3. Nezmrazujte příliš velké množství najednou. Množství potravin se nejlépe uchovává, pokud se zmrazí hloubkově a co nejrychleji.
 4. Umístěním teplých potravin do mrazničky uvedete chladicí kompresor do nepřetržitého chodu, dokud nejsou potraviny zcela zmrzlé.
 5. Dávejte zvýšený pozor, abyste nesměšili již zmrzlé a čerstvé potraviny.

Používání chladničky

5.2. Doporučení pro uschování mražených potravin

- Balené mražené potraviny uskladněte v souladu s pokyny výrobce mražených potravin pro ******** (4hvězdičkový) prostor pro mražené potraviny.
- Pro zajištění vysoké kvality podle výrobce a prodejce mražených potravin nezapomeňte dodržovat následující body:

1. Balení vkládejte do mrazničky co nejrychleji po zakoupení.
2. Ověřte, zda je na obsahu uvedeno označení a datum.
3. Nepřekračujte data spotřeby na obalu.

Odmrazování

Prostor chladničky se odmrazuje automaticky.

5.3. Vkládání potravin

Police prostoru mrazničky	Různé mražené potraviny, jako je maso, ryby, zmrzlina, zelenina atd.
Tácek na vejce	Vejce
Police mrazicího prostoru	Potraviny v pánvích, přikrytých talířích, uzavřených nádobách
Police dveří prostoru chladničky	Malé a balené potraviny či nápoje (např. mléko, ovodný džus a pivo)
Prostor pro čerstvé potraviny	Zelenina a ovoce
Prostor pro čerstvé potraviny	Jemné potraviny (sýr, máslo, salám atd.)

5.4. Informace o hloubkovém mražení

Potraviny je nutno zmrazit co nejrychleji, když je vložíte do

chladničky, aby zůstaly v dobré kvalitě.

Je možné udržet potraviny dlouhodobě jen při -18°C nebo nižších teplotách.

Čerstvé potraviny můžete uchovat mnoho měsíců (při -18°C nebo nižších teplotách při hloubkovém mražení).



UPOZORNĚNÍ!

- Potraviny je nutno rozdělit na části podle potřeb rodiny na den či jednotlivé jídlo.
- Potraviny je nutno vzduchotěsně zabalit, aby nevyschly, i když je chcete skladovat krátce.
- Materiály nezbytné pro balení:
- Lepicí páska odolná vůči chladu
- Samolepicí páska
- Gumičky
- Pero

Materiály, které použijete na balení potravin, musejí být pevné a odolné vůči chladu, vlhkosti, zápachu, oleji a kyselinám.

Potraviny by neměly být v kontaktu s předtím zmraženými potravinami, aby nedošlo k částečnému rozmražení.

Mražené potraviny je nutno použít rychle poté, co rozmrznou, neměly by se znovu mrazit.

- „Funkci rychlého mražení“ aktivujte minimálně 24 hodin před vložením čerstvých potravin.

- Vložte 2 ks ledových sáčků (jsou-li k dispozici)

do spodní části zásuvky.

- Čerstvé potraviny dejte na 2. a 3. policičku odspodu. (Maximální kapacity dosáhnete vyjmutím zásuvek.)

5.5. Změna směru otvoru dveří

Směr otvoru dveří vaší chladničky lze změnit dle místa, na kterém ho používáte. V případě potřeby se obraťte na nejbližší autorizovaný servis.

5.6. Varování na otevření dveří

Akustický signál se ozve, když necháte dveře prostoru chladničky nebo mrazničky otevřené určitou dobu. Tento akustický signál se ztlumí, jakmile stisknete jakékoli tlačítko na ukazateli nebo po uzavření dveří.

5.7. Použití dávkovače vody

* Nemusí být k dispozici u všech modelů



Je normální, že prvních několik sklenic vody odebraných z dávkovače vody bude obvykle teplých.



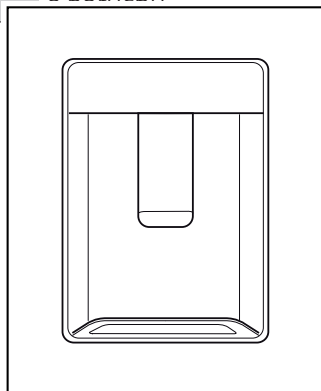
Pokud se dávkovač vody nepoužíval delší dobu, abyste získali čistou vodu, první sklenice vody vylijte.

1. Zatlačte sklenicí o páku dávkovače vody. Pokud používáte měkký plastový kelímeček, bude snazší páku stisknout rukou.

2. Po naplnění poháru po požadované úrovni, uvolněte páku.



Upozorňujeme, že z dávkovače vyteče tolik vody, jak daleko potlačíte páku. Když hladina vody ve Vaší šálku / sklenici stoupne, jemně snižte množství tlaku na páku, abyste zabránili přetečení. Pokud páku lehce stisknete, bude kapat voda; to je zcela normální a nejde



5.8. Plnění nádrže dávkovače na vodu

Plnicí nádrž Vodní nádrže je umístěna uvnitř stojanu dveří.

- 1.** Otevřete kryt nádrže.
- 2.** Naplňte nádrž čerstvou pitnou vodou.
- 3.** Zavřete kryt.



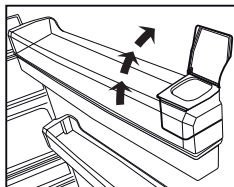
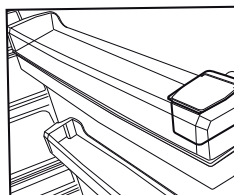
Neplňte nádrž na vodu s jinou kapalinou kromě vody, jako jsou například ovocné džusy, syčené nápoje a alkoholické nápoje, které nejsou vhodné pro použití v dávkovači vody. V případě použití těchto druhů kapalin se dávkovač vody nenapravitelně poškodí. Záruka se nevztahuje na takové použití. Některé chemické látky a přísady obsažené v těchto druhů nápojů / kapalin mohou poškodit nádržku na vodu.



Používejte pouze čistou pitnou vodu.



Kapacita nádrže na vodu je 3 litry; nepřepĺňujte ji.

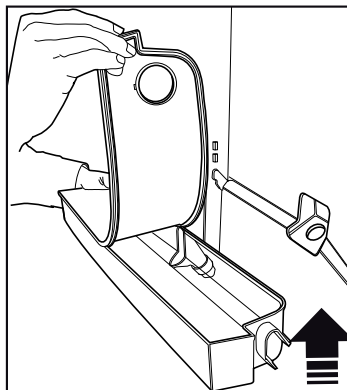
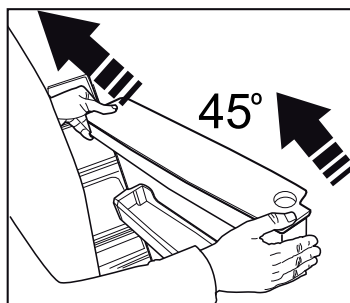
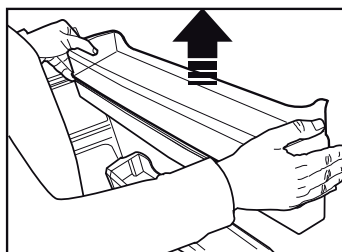
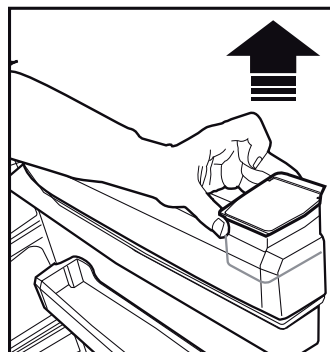


5.9. Čištění nádrže na vodu

1. Vyberte nádrž na vodu uvnitř rámu dveří.
2. Odstraňte rám dveří jejich přidržením z obou stran.
3. Chyťte nádržku na vodu z obou stran a odstranit ji pod úhlem 45 ° C.
4. Odstraňte kryt zásobníku na vodu a vyčistěte nádrž.



Součásti nádrže na vodu a dávkovač vody nemyjte v myčce nádobí.

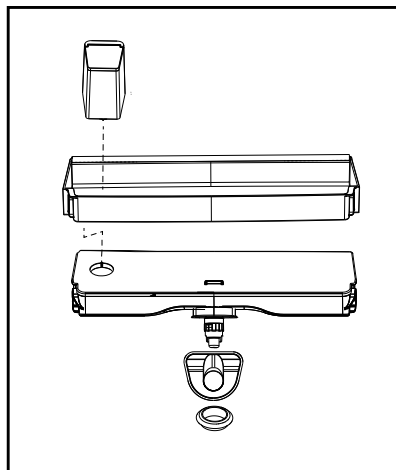
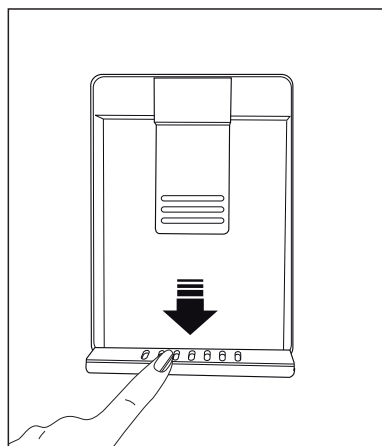


5.10. Odkapávací zásobník

Voda, která při použití dávkovače vody vykvapala, se hromadí v odkapávacím zásobníku.

Odstraňte plastový filtr, jak je znázorněno na obrázku.

S čistým a suchým hadříkem odstraňte nahromaděnou vodu.



Čistěte produkt pravidelně, čímž prodloužíte jeho životnost.



UPOZORNĚNÍ: Před čištěním chladničku odpojte od napájení.

- Nikdy nepoužívejte ostré a drsné nástroje, mýdlo, domácí čisticí prostředky, čisticí prášky, plyn, benzín, laky a podobné látky na čištění.
- U produktů, které nejsou No Frost, se mohou na zadní stěně chladničky objevit kapky vody a námraza na tloušťku prstu. Nečistěte; nikdy nepoužívejte olej nebo podobné prostředky.
- Pro čištění vnějšího povrchu produktu používejte pouze mírně navlhčené utěrky z mikrovláken. Houbičky a jiné typy čisticích ubrousků mohou poškrábat povrch.
- Rozpusťme lžičku uhlíčitánu ve vodě. Navlhčete kousek hadry ve vodě a vyždímejte ji. Otřete přístroj s touto látkou a důkladně osušte.
- Dávejte pozor, aby se voda nedostala do krytu lampy a jiných elektrických částí.
- Vyčistěte dveře pomocí vlhkého hadříku. Odstraňte všechny položky uvnitř pro vyjmutí poliček ze dveří a samotné chladničky. Zvedněte dveřní police až do jejich odpojení se. Vyčistěte a osušte police, pak je umístěte zpět na jejich místo zasunutím shora.
- Nepoužívejte chlorovou vodu nebo čisticí prostředky na vnějším povrchu a pochromovaných částech výrobku. Chlor může na takových kovových površích způsobit korozi.
- Nikdy nepoužívejte ostré a drsné nástroje nebo mýdlo, domácí čisticí prostředky, čisticí prostředky, benzín,

benzen, vosk, atd., v opačném případě se na plastových dílech objeví skvrny a dojde k jejich deformaci. K čištění použijte teplou vodu a měkký hadřík a otřete je do sucha

6.1 Prevence před zápachem

Výrobek je vyroben bez jakýchkoliv pachových látek. Nicméně, udržování jídla v nesprávných částech a nesprávné čištění vnitřních povrchů může vést k zápachu.

Aby k tomu nedošlo, očistěte vnitřek se sodovou vodou každých 15 dní.

- Uchovávejte potraviny v uzavřených obalech. Mikroorganismy se mohou z neuzavřených potravin rozšířit a způsobit zápach.
- Nenechávejte potraviny se zašlým datem spotřeby a zkažené potraviny v chladničce.

6.2 Ochrana plastových povrchů

Olej vyteklý na plastové povrchy může poškodit povrch a musí být ihned umytý teplou vodou.

7 Řešení problémů

Než se obrátíte na servis, viz následující seznam. Může Vám to ušetřit čas i peníze. Tento seznam obsahuje časté stížnosti, které nejsou spojeny s chybným zpracováním nebo poškozením materiálu. Některé funkce uvedené v tomto dokumentu se nemusí vztahovat na váš produkt.

Chladnička nefunguje.

Zástrčka není úplně nasazena. >>> Zapojte ji úplně do zásuvky.

Pojistka připojená do zásuvky která napájí produkt nebo hlavní pojistka je spálená. >>> Zkontrolujte pojistky.

Kondenzace na boční stěně chladicího prostoru (MULTI ZÓNA, CHLADÍCÍ, KONTROLNÍ a FLEXI ZÓNA).

- Dveře se otevírají příliš často >>> Dbejte na to, abyste dveře výrobku neotvírali příliš často.
- Prostředí je příliš vlhké. >>> Neinstalujte výrobek ve vlhkém prostředí.
- Potraviny obsahující tekutiny jsou uchovávány v neuzavřených nádobách. >>> Uchovávejte potraviny, které obsahují tekutiny v uzavřených nádobách.
- Dveře výrobku byly ponechány otevřené. >>> Nenechávejte dveře chladničky otevřené po delší dobu.
- Termostat je nastaven na příliš nízkou teplotu. >>> Nastavte termostat na vhodnou teplotu.

Kompresor nepracuje.

- V případě náhlého výpadku proudu nebo vytažení napájecího kabelu a po jeho opětovném připojení tlak plynu v chladicím systému výrobku není vyvážený, což spustí tepelný jistič kompresoru. Produkt se restartuje po přibližně 6 minutách. Když se výrobek po uplynutí této doby restartován, obraťte se na servis.
- Je aktivní rozmrazování. >>> To je normální pro chladničku s plně automatickým rozmrazováním. Odmrazování se provádí pravidelně.
- Produkt není zapojen do elektrické sítě >>> Ujistěte se, že napájecí kabel je zapojen.
- Nastavení teploty je nesprávné. >>> Zvolte odpovídající nastavení teploty.
- Není proud. >>> Produkt bude nadále fungovat normálně po obnovení napájení.

Provozní hluk chladničky se při používání zvyšuje.

- Provozní výsledky tohoto výrobku se mohou lišit v závislosti na změnách teploty okolního prostředí. To je normální a nejedná se o závadu.

Chladnička běží příliš často nebo příliš dlouho.

Řešení problémů

- Nový výrobek může být větší než ten předchozí. Větší výrobky budou pracovat po delší dobu.
- Teplota v místnosti může být vysoká. >>> Výrobek bude v místnosti s vyšší teplotou spuštěn po delší dobu.
- Výrobek mohl být zapojen nedávno nebo v něm byly umístěny nové položky potravin. >>> Výrobek dosáhne nastavenou teplotu déle, když byl jen právě zapojen nebo do něj byly umístěny nové potraviny. To je normální.
- Do výrobku bylo v poslední době umístěno velké množství teplého jídla. >>> Nepokládejte horké jídlo do výrobku.
- Dveře byly často otevřené nebo zůstaly otevřené po delší dobu. >>> Teplý vzduch pohybuující se uvnitř způsobí, že výrobek bude v provozu déle. Neotvírejte dveře chladničky příliš často.
- Dveře mrazničky nebo chladničky mohli zůstat pootevřené. >>> Zkontrolujte, zda jsou dveře úplně zavřené.
- Výrobek může být nastaven na příliš nízkou teplotu. >>> Nastavte teplotu na vyšší stupeň a počkejte, až výrobek dosáhne nastavenou teplotu.
- Podložky dveří chladničky nebo mrazničky mohou být špinavé, opotřebované, rozbité nebo nesprávně nasazené. >>> Vyčistěte nebo vyměňte podložky. Poškozené / roztrhané podložky dveří způsobí, že výrobek bude běžet delší dobu pro zachování aktuální teploty.

Teplota mražení je velmi nízká, ale teplota chladiče je dostačující.

- Teplota prostoru mrazničky je nastavena na velmi nízký stupeň. >>> Nastavte teplotu v mrazničce na vyšší stupeň a znovu zkontrolujte.

Teplota chlazení je velmi nízká, ale teplota mrazničky je dostačující.

- Teplota prostoru chladničky je nastavena na velmi nízký stupeň. >>> Nastavte teplotu v chladničce na vyšší stupeň a znovu zkontrolujte.

Potraviny uchovávané v chladnějším zásuvek prostor jsou zmrazeny.

- Teplota prostoru chladničky je nastavena na velmi nízký stupeň. >>> Nastavte teplotu v mrazničce na vyšší stupeň a znovu zkontrolujte.

Řešení problémů

Teplota v chladničce nebo v mrazničce je příliš vysoká.

- Teplota prostoru chladničky je nastavena na velmi vysoký stupeň. >>> Nastavení teploty chladicí části ovlivňuje teplotu v mrazničce. Změňte teplotu v chladicí nebo mrazicí části a počkejte, dokud příslušné přihrádky dosáhnou nastavenou úroveň teploty.
- Dveře byly často otevřené nebo zůstaly otevřené po delší dobu. >>> Neotvírejte dveře chladničky příliš často.
- Dveře mohou být pootevřena. >>> Úplně zavřete dveře.
- Produkt mohl být zapojen nedávno nebo v něm byly umístěny nové položky potravin. >>> To je normální. Výrobek dosáhne nastavenou teplotu déle, když byl jen právě zapojen nebo do něj byly umístěny nové potraviny.
- Do výrobku bylo v poslední době umístěno velké množství teplého jídla. >>> Nepokládejte horké jídlo do výrobku.

Třese se nebo vydává hluk.

- Podlaha není ve vodováze nebo není odolná. >>> Pokud se výrobek třese, když se pomalu pohybuje, nastavte stojany na vyrovnání výrobku. >>> Ujistěte se také, že podlaha je dostatečně odolná k tomu, aby unesla produkt.
- Všechny položky umístěné na výrobku mohou způsobit hluk. >>> Odstraňte všechny položky umístěné na výrobku.

Výrobek vytváří hluk tekoucí, stříkající kapaliny apod.

- Princip fungování tohoto výrobku je založen na toku kapalin a plynu. >>> To je normální a nejedná se o závadu.

Z výrobku zní zvuk jako vanoucí vítr.

- Výrobek pro proces chlazení používá ventilátor. To je normální a nejedná se o závadu.

Na vnitřních stěnách výrobku se vytvořil kondenzát.

- Horké nebo vlhké počasí zvýší námrazu a kondenzaci. To je normální a nejedná se o závadu.
- Dveře byly často otevřené nebo zůstaly otevřené po delší dobu. >>> Neotvírejte dveře příliš často, pokud zůstaly otevřeny, zavřete je.
- Dveře mohou být pootevřena. >>> Úplně zavřete dveře.

Vytváří se kondenzát na vnější straně výrobku nebo mezi dveřmi.

- Okolní prostředí může být vlhké, je to naprosto normální ve vlhkém počasí. >>> Kondenzace se rozptýlí, když se sníží vlhkost.

Interiér zapáchá.

- Produkt není pravidelně čištěn. >>> Pravidelně čistěte vnitřek pomocí houbičky, teplé vody a sycené vody.
- Některé balení a obalové materiály může způsobit zápach. >>> Používejte balení a obalové materiály bez zápachu.
- Potraviny byly umístěny v neuzavřených baleních. >>> Uchovávejte potraviny v uzavřených obalech. Mikroorganismy se mohou z neuzavřených potravin rozšířit a způsobit zápach.
- Z výrobku odstraňte všechny potraviny se zašlým datem spotřeby a zkažené potraviny.

Řešení problémů

Dveře se nezavírají.

- Balíčky s potravinami mohou blokovat dveře. > > > Přemístěte předměty blokující dveře.
- Produkt nestojí ve zcela svislé poloze na zemi. > > > Nastavte stojany pro uvedení výrobku do svislé polohy.
- Podlaha není ve vodováze nebo není odolná. > > > Ujistěte se, že podlaha je vyvážená a dostatečně odolná k tomu, aby unesla produkt.

Zásobník na zeleninu se zasekl.

- Potraviny mohou být v kontaktu s horní částí zásobníku. > > > Reorganizujte potraviny v šuplíku.

Pokud Je Povrch Produktu Horký

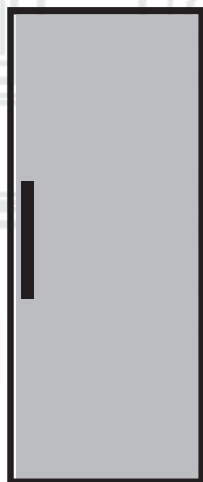
- Když je zařízení v provozu, lze pozorovat vysoké teploty mezi dvěma dvířky, na postranních panelech a na zadním grilu. To je běžné a není to důvod pro servisní údržbu! Při kontaktu s těmito plochami buďte opatrní.



UPOZORNĚNÍ: Pokud problém přetrvává i po provedení pokynů v této části, obraťte se na svého prodejce nebo na autorizovaný servis. Nepokoušejte se opravit produkt.

Холодильники

Посібник користувача



| UA |

beko

Шановний покупцю!

Цей прилад був виготовлений за допомогою сучасного обладнання з ретельним контролем якості і ми хотіли б, щоб він працював для Вас найбільш ефективно.

Для цього повністю прочитайте інструкцію з експлуатації перед використанням приладу і збережіть цю інструкцію в якості довідкового джерела. Якщо ви передаєте цей прилад іншій особі, передайте цю інструкцію разом з приладом.

Інструкція з експлуатації забезпечує швидке і безпечне використання приладу.

- Прочитайте інструкцію перед встановленням та використанням приладу.
- Завжди дотримуйтесь діючих правил техніки безпеки.
- Зберігайте інструкцію з експлуатації в межах легкої досяжності для її використання у майбутньому.
- Прочитайте будь-які інші документи, що поставляються з даним приладом.

Майте на увазі, що ця інструкція з експлуатації може стосуватися кількох моделей прилада. Інструкція ясно описує будь-які варіації різних моделей.

Символи та примітки

У цій інструкції користувача використовуються такі символи:

	Важлива інформація та корисні поради.
	Небезпека для життя та майна.
	Небезпека ураження електричним струмом.
	Упаковка цього виробу виготовлена з матеріалів, які підлягають повторній переробці згідно з національними нормами й правилами щодо охорони довкілля.

1 Інструкції з техніки безпеки й охорони довкілля	4
Загальні правила техніки безпеки..	4
Застосування за призначенням	7
Безпека дітей	7
Відповідність Директиві щодо відпрацьованого електричного й електронного обладнання й утилізація відходів	7
Відповідність Директиві щодо обмеження використанням шкідливих речовин	8
Інформація про упаковку.....	8
2 Холодильник	9
3 Установка	10
Що слід враховувати при транспортуванні приладу	10
Перед увімкненням холодильника	10
Підключення до електромережі ...	11
Утилізація упаковки	11
Утилізація вашого старого холодильника	12
Розміщення та Установка	12
Регулювання ніжок.....	12
Попередження про відкриті дверцята	12
4 Підготовка	13
5 Експлуатація продукту	14
6 Обслуговування та чищення	24
7 Усунення несправностей	25

1 Інструкції з техніки безпеки й охорони довкілля

У цьому розділі наведені інструкції з техніки безпеки, необхідні для запобігання ризику отримання травми та матеріальних збитків. Недотримання цих інструкцій може призвести до втрати всіх видів гарантії.

Призначення

	ПОПЕРЕДЖЕННЯ: Під час зберігання або встановлення приладу вентиляційні отвори повинні бути відкриті.
	ПОПЕРЕДЖЕННЯ: Для того, щоб прискорити процес розморожування не використовуйте механічні та інші предмети, крім пристосувань, рекомендованих виробником.
	ПОПЕРЕДЖЕННЯ: Контур холодоагенту не повинен бути пошкоджений.
	ПОПЕРЕДЖЕННЯ Некладіть всередину камери для зберігання продуктів електричні прилади, які не рекомендовані виробником.
	ПОПЕРЕДЖЕННЯ Не зберігайте у холодильнику вибухові речовини, такі як балончики, що містять легкозаймісті газу під тиском.

Прилад призначений лише для використання в домашніх або нижченаведених умовах:

- на кухнях для персоналу в магазинах, офісах та інших установах;

- на фермах або готелях, в мотелях та інших гостьових будинках для використання клієнтами.

- готелі типу «ліжко та сніданок»;
- підприємства громадського харчування та інші види використання не в роздрібній торгівлі

1.1. Загальні правила техніки безпеки

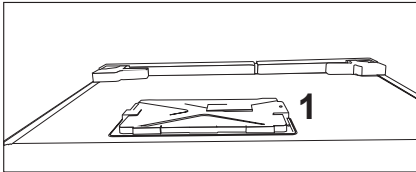
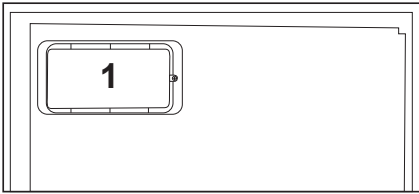
Цей прилад не повинен використовуватися особами з фізичними, сенсорними та розумовими вадами, без достатнього досвіду і знань або дітьми. Ці особи можуть використовувати прилад тільки під наглядом і курируванням з боку особи, відповідальної за їх безпеку. Не можна дозволяти дітям гратися з приладом.

- У разі несправності від'єднайте прилад від електромережі.
- Після від'єднання від електромережі зачекайте не менше 5 хвилин, перш ніж приєднати прилад знову.
- Від'єднуйте прилад від електромережі, коли він не використовується.
- Не торкайтеся штепсельної вилки мокрими руками! Не тягніть за шнур живлення з метою від'єднання від електромережі. У цьому випадку завжди тримайтеся за вилку.
- Не підключайте холодильник до незакріпленої розетки електромережі.
- Від'єднуйте прилад від електромережі під час

Інструкції з техніки безпеки й охорони довкілля

робіт зі встановлення, обслуговування, чищення та ремонту.

- Якщо прилад не буде використовуватися протягом деякого часу, від'єднайте прилад від електромережі та приберіть їжу, встановлену в середині.
- Не використовуйте прилад, якщо відділення з монтажними платами, розташоване ззаду згори (кришка блока електричних плат) (1), відчинене.



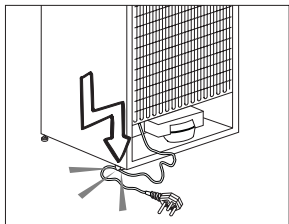
- Не використовуйте пар або чистячі засоби, які використовують пару, для очищення холодильника та розтоплення льоду всередині холодильника. Пар може потрапити до електрифікованих ділянок та викликати коротке замикання або ураження електричним струмом!
- Не мийте електроприлад, розбризкуючи або виливаючи на нього воду! Існує небезпека ураження електричним струмом!

- У разі несправності приладу не використовуйте його, так як це може призвести до ураження електричним струмом. Перш ніж робити що-небудь, зверніться до авторизованої сервісної служби.
- Підключайте прилад до заземленої розетки. Заземлення має робити кваліфікований електрик.
- Якщо у приладі використовується освітлення світлодіодного типу, зверніться до авторизованої сервісної служби для заміни світлодіодних ламп або у разі будь-яких проблем.
- Не торкайтеся заморожених продуктів мокрими руками. Вони можуть пристати до Ваших рук!
- Не ставте у морозильну камеру посудини з рідиною в пляшках і банках. Вони можуть лопнути!
- Розміщуйте посудини з рідиною у вертикальному положенні з щільно закритими кришками.
- Не розпиляйте горючі речовини поруч з приладом, це може призвести до пожежі або до вибуху.
- Не тримайте в холодильнику горючі матеріали і продукти з легкозаймистим газом (спрей і т.д.).
- Не ставте на холодильник контейнери, наповнені рідиною. Бризки води на електричні частини можуть спричинити ураження

Інструкції з техніки безпеки й охорони довкілля

електричним струмом або ризик займання.

- Вплив на пристрій дощу, снігу, сонця та вітру небезпечний з точки зору електробезпеки. При переміщенні приладу не тягніть його, тримаючи за ручку дверей. Ручка може відірватися.
- Будьте уважні, щоб ваші руки або інші частини тіла не потрапили в рухомі компоненти приладу.
- Не наступайте та не спирайтеся на дверцята, ящики та аналогічні частини холодильника. Внаслідок цього прилад може впасти. Від падіння приладу можуть пошкодитися його компоненти.
- Будьте обережні, щоб не заплутатися у кабелі живлення.



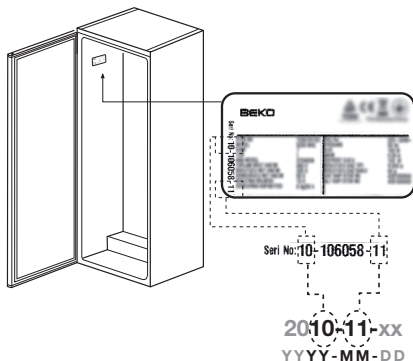
1.1.1 Попередження щодо високонебезпечної речовини

Якщо прилад містить систему охолодження з використанням газу R600a, будьте обережні, щоб не пошкодити систему охолодження і її трубопровід при використанні і переміщенні приладу. Цей газ займистий. У випадку пошкодження системи

охолодження тримайте прилад подалі від потенційних джерел займання, а також негайно провентильуйте приміщення.



Тип газу, який використовується у приладі, вказаний на паспортній табличці, розташованій зліва на внутрішній стінці холодильника.



1.1.2 Для моделей з розподільником охолодженої води

- Тиск в місці підведення холодної води не повинен перевищувати 90 фунтів на квадратний дюйм (620 kPa). Якщо тиск води перевищує 80 фунтів на квадратний дюйм (550 kPa), встановіть у своїй магістральній мережі клапан обмеження тиску. Якщо ви не знаєте, як перевірити тиск води, зверніться за

Інструкції з техніки безпеки й охорони довкілля

допомогою професійного сантехніка.

- Якщо у вашій установці існує ризик виникнення гідравлічного удару, обов'язково встановіть захисне обладнання для запобігання ризику виникнення гідравлічного удару. У разі виникнення сумнівів стосовно можливості виникнення гідравлічного удару у вашій установці, зверніться за допомогою до професійних сантехніків.
- Забороняється виконувати встановлення у місці підведення гарячої води. Необхідно вжити запобіжних заходів для запобігання ризику замерзання шлангів. Температура робочої води повинна знаходитися в інтервалі від 33 °F (0,6 °C) до 100 °F (38 °C).
- Використовуйте тільки питну воду.

1.2. Застосування за призначенням

- Цей прилад розроблено для домашнього використання. Він не призначений для комерційного використання.
- Продукт повинен бути використаний лише для зберігання продуктів харчування і напоїв.
- Не тримайте в холодильнику чутливі продукти, що вимагають контрольованої температури (вакцини, теплочутливі ліки, медикаменти тощо).

- Виробник не несе жодної відповідальності за будь-які збитки в результаті неправильного використання або неправильного поводження.
- Оригінальні запасні частини будуть постачатися протягом 10 років з моменту придбання виробу.

1.3. Безпека дітей

- Тримайте пакувальні матеріали у недоступному для дітей місці.
- Не дозволяйте дітям гратися з приладом.
- Якщо на дверцятах є замок, тримайте ключі у недосяжному для дітей місці.

1.4. Відповідність Директиві щодо відпрацьованого електричного й електронного обладнання й утилізація відходів

Цей прилад відповідає вимогам Директиви щодо відпрацьованого електричного й електронного обладнання (2012/19/ЄС). Цей прилад позначений символом приналежності до категорії відходів електричного й електронного обладнання.



Цей прилад виготовлений з високоякісних деталей та матеріалів, які підлягають повторному використанню й переробці. Після закінчення терміну експлуатації не утилізуйте цього пристрою разом зі звичайними побутовими

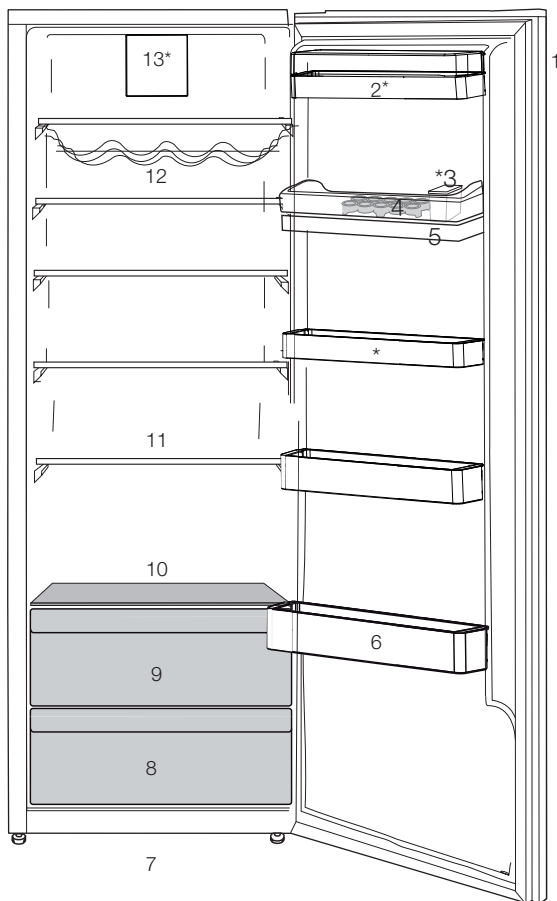
й іншими відходами. Його слід здати у відповідний пункт збору відходів електричного й електронного обладнання для повторного використання. Інформацію про місцезнаходження пунктів збору відходів можна отримати в місцевих органах влади.

1.5. Відповідність Директиві щодо обмеження використанням шкідливих речовин

- Цей прилад відповідає вимогам Директиви щодо відпрацьованого електричного й електронного обладнання (2011/65/ЄС). Він не містить шкідливих і заборонених речовин, зазначених у цій Директиві.

1.6. Інформація про упаковку

- Упаковка цього приладу виготовлена з матеріалів, які підлягають повторній переробці згідно з національними нормами й правилами щодо охорони довкілля. Не утилізуйте пакувальні матеріали разом із побутовими та іншими відходами. Здайте їх на пункт збору пакувальних матеріалів, визначених місцевими органами влади.



- | | |
|--------------------------------------|------------------------------------|
| 1. Індикатор Панелі | 8. Контейнер для фруктів та овочів |
| 2. Відділення Для Масла Та Сиру | 9. Чиллер |
| 3. Бак наповнення розподільника води | 10. Холодильна Кришка І Скло |
| 4. Відділення для яєць | 11. Рухливі Полиці |
| 5. Бак роздавача охолодженої води | 12. Тримач Для Пляшок |
| 6. Відділення Для Пляшок | 13. Вентилятор |
| 7. Регульовані Передні Ніжки | |

***Може не бути в наявності в усіх моделях**



Ілюстрації в даній інструкції є схематичними і можуть відрізнятися від вашої моделі. Якщо до комплектації моделі, яку ви придбали, не входять згадані деталі, вони призначені для інших моделей.



Будь ласка, пам'ятайте, що виробник не нестиме відповідальність, якщо не дотримано порад, наведених в інструкції з користування.

3.1. Що слід враховувати при транспортуванні приладу

1. Перед будь-яким транспортуванням холодильник має бути спорожнений і вимитий.
2. Перед упакуванням холодильника всі полиці, приналежності, контейнери для фруктів та овочів тощо у вашому холодильнику слід міцно закріпити скотчем для запобігання струсам.
3. Упаковувати холодильник слід за допомогою товстих стрічок і міцних мотузок, а також дотримуватися правил транспортування, надрукованих на упаковці.

Упевніться в тому, що всередині холодильника старанно вимитий.

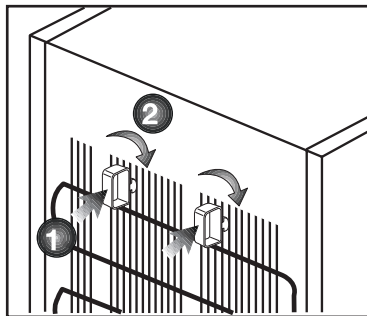
Повторне використання матеріалів надзвичайно важливе для природи та наших національних ресурсів.

Якщо ви бажаєте посприяти повторному використанню матеріалів упаковки, ви можете отримати більше інформації від органів охорони довкілля або від органів місцевої влади.

3.2. Перед увімкненням холодильника

Перш ніж розпочати експлуатацію холодильника, перевірте дотримання таких умов:

1. Усередині холодильника сухо, ніщо не заважає вільній циркуляції повітря позаду приладу.
2. Вставте 2 пластмасові розпірки для вентиляції на задню стінку, як показано на наступному малюнку. Пластмасові розпірки забезпечать потрібну відстань між холодильником і стіною для циркуляції повітря.



3. Вимийте внутрішню частину холодильника, як рекомендовано у розділі "Обслуговування й чищення".
4. Під'єднайте холодильник до розетки електромережі. При відчиненні дверцят холодильника вмикається внутрішнє освітлення холодильного відділення.
5. Коли компресор почне працювати, ви почуєте шум. Рідина та газу всередині холодильної системи також можуть створювати шум, навіть якщо компресор не працює, що є цілком нормальним явищем.
6. Передні кромки холодильника можуть бути теплими на дотик. Це нормально. Ці області мають нагріватися, щоб уникнути конденсації.



Установка

3.3. Підключення до електромережі

Підключіть холодильник до заземленої розетки, захищеної плавким запобіжником відповідної потужності.

Важливо!

- Підключення має відповідати національним нормам і правилам.
- Після встановлення холодильника має бути забезпечений легкий доступ до штепселя шнура живлення.
- Указана напруга має відповідати напрузі вашої електромережі.
- Для підключення не слід використовувати подовжувачі та штепсельні колодки на декілька гнізд.

	У разі пошкодження шнура живлення його заміну має здійснювати кваліфікований електрик.
	Забороняється користуватися холодильником, доки його не буде відремонтовано! Існує небезпека ураження електричним струмом!

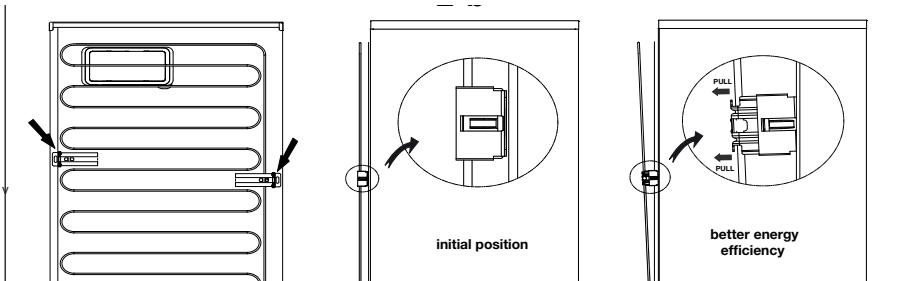
3.4. Утилізація упаковки

Пакувальні матеріали можуть становити небезпеку для дітей. Зберігайте пакувальні матеріали у недоступному для дітей місці, або утилізуйте їх, розсортувавши відповідно до інструкцій з утилізації відходів. Не утилізуйте їх разом із звичайними побутовими відходами.

Упаковка вашого холодильника вироблена з матеріалів, що можуть бути використані повторно.

- Конденсатор вашого приладу знаходиться позаду, як показано нижче. Для досягнення найкращої енергоефективності та зменшення споживання енергії висуньте конденсатор на себе, як показано на малюнку нижче.

* Може не бути в наявності в усіх моделях



3.5. Утилізація вашого старого холодильника

Утилізуйте старий холодильник, не завдаючи шкоди довкіллю.

- З питань щодо утилізації холодильника ви можете звернутися до пункту збору відходів вашого населеного пункту.

Перед утилізацією холодильника відріжте штепсель електрошнура, а також виведіть з ладу замки (якщо такі існують) дверцят, щоб захистити дітей від небезпеки зачинення всередині.

3.6. Розміщення та Установка



Якщо двері приміщення, в якому буде встановлено холодильник, недостатньо широкі, зверніться до сервісної служби; її співробітники допоможуть зняти двері з холодильника та пронести його боком.

1. Встановлюйте холодильник у місці, зручному для його використання.

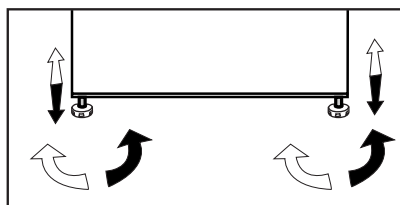
2. Холодильник має знаходитися в місці, віддаленому від джерела тепла, підвищеної вологості та прямих сонячних променів.

3. Для ефективнішої роботи необхідно забезпечити гарну вентиляцію навколо холодильника. Якщо холодильник встановлюється в ніші стіни, мінімальна відстань має бути 5 см до стелі та 5 см до стіни. Якщо на підлозі лежить килим, треба підняти холодильник на 2,5 см над рівнем підлоги.

4. Холодильник має стояти на рівній поверхні, щоб не виникало трясіння.

3.7. Регулювання ніжок

Якщо холодильник не збалансовано; Ви можете збалансувати холодильник, обертаючи його передні ніжки, як показано на малюнку. Кут холодильника, в якому знаходиться ніжка, опускатиметься, якщо повертати в напрямку чорної стрілки, і підійматиметься, якщо повертати у зворотному напрямку. Якщо хтось допоможе підняти холодильник, це полегшить процес.

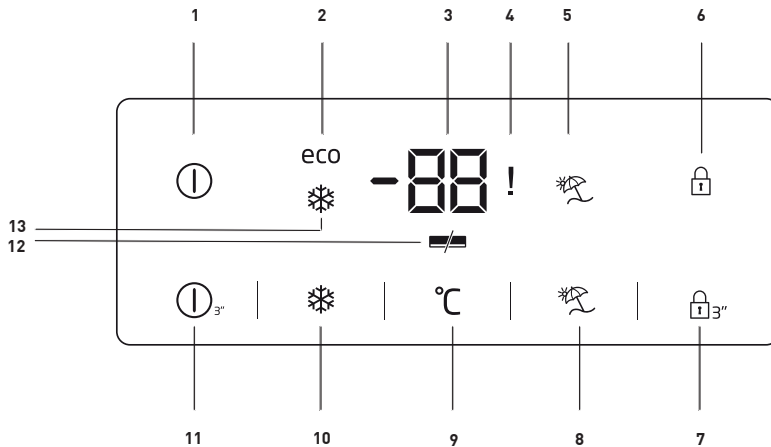


3.8. Попередження про відкриті дверцята

Якщо дверцята холодильного чи морозильного відділення залишити відкритими на певний час, прозвучить застережний сигнал. Застережний звуковий сигнал припиниться після натискання будь-якої кнопки на дисплеї, або після зачинення дверцят.

4 Підготовка

- Холодильник слід встановити на відстані щонайменше 30 см від джерел тепла, таких як жарівниці, плити, батареї центрального опалення й печі, а також не ближче 5 см від електричних духових шаф, у місцях, куди не духових шаф пічопряме сонячне світло.
- Температура повітря в приміщенні, де встановлюється холодильник, має бути не менше 5°C. Використовувати холодильник в умовах нижчої температури не рекомендується з міркувань його низької ефективності.
- Упевніться в тому, що всередині холодильник старанно вимитий.
- Якщо два холодильники встановлюються поряд, між ними має бути відстань не менше 2 см.
- При першому увімкненні холодильника, протягом перших шести годин роботи дотримуйтеся наступних інструкцій.
- Не відчиняйте часто дверцята.
- Холодильник мусить працювати порожнім, без продуктів усередині.
- Не відключайте холодильник від електромережі. Якщо сталося порушення електропостачання, див. застереження у розділі "Рекомендації з вирішення проблем".
- Для забезпечення низького споживання енергії та поліпшення умов зберігання необхідно використовувати контейнери/ящики, що постачаються разом з морозильною камерою.
- Контакт їжі з датчиком температури в морозильній камері може спричинити збільшення споживання енергії пристроєм. Таким чином, слід уникати будь-якого контакту з датчиком(ами).
- Оригінальну упаковку та плівку слід зберегти для транспортування або переміщення холодильника в майбутньому.
- В деяких моделях приладова панель автоматично вимикається через 5 хвилин після закривання дверей. Вона повторно активізується після відчинення дверей або натискання будь-якої клавіші.
- Конденсація вологи на полицях дверцят/корпусу та скляних контейнерах є нормальним явищем і виникає завдяки зміні температури внаслідок відкриття/закриття дверцят під час функціонування виробу.



1. Індикатор вимикача:

Цей значок (Ⓛ) буде відображатися, коли холодильник вимкнений. Усі інші значки погаснуть.

2. Індикатор економічного режиму:

Цей значок (eco) буде відображатися, коли температуру у холодильному відділенні встановлено на 8 °С, це максимально економічний режим. Індикатор економічного режиму вмикається після вибору функції швидкого охолодження або швидкого заморожування.

3. Індикатор регулювання температури холодильного відділення:

Вказує температуру, встановлену для холодильного відділення.

4. Збій живлення/Індикатор підвищеної температури/ Попередження про помилку:

Цей індикатор (!) вмикається при припиненні подачі енергії, підвищенні температури або для попередження про помилку. Під час тривалих збоїв живлення, найвища температура, якої досягає холодильна камера, почне блимати на цифровому дисплеї.

5. Індикатор тимчасового вимкнення

Цей значок (☀) загоряється, коли активовано функцію тимчасового вимкнення.

6. Індикатор блокування кнопок:

Цей значок (🔒) загоряється, коли активовано режим блокування кнопок.



Ілюстрації в даній інструкції є схематичними і можуть відрізнятися від вашої моделі. Якщо до комплектації моделі, яку ви придбали, не входять згадані деталі, вони призначені для інших моделей.

7. Режим блокування кнопок:

Натисніть (🔒) і утримуйте кнопку блокування клавіш протягом 3 секунд. При цьому ввімкнеться режим блокування кнопок, і на дисплеї з'явиться відповідний значок. У режимі блокування кнопки панелі керування не діють. Натисніть і утримуйте кнопку блокування клавіш протягом 3 секунд. Режим блокування кнопок вимкнеться, а індикатор цього режиму на дисплеї згасне.

8. Режим тимчасового вимкнення:

Якщо натиснути кнопку тимчасового вимкнення, увімкнеться функція тимчасового вимкнення (🌙) і засвітиться індикатор тимчасового вимкнення. Ви можете використовувати цю функцію, якщо плануєте не використовувати холодильник протягом тривалого часу. Майте на увазі, що у холодильнику не має бути продуктів, оскільки ваш холодильник не зможе зберігати їх у режимі тимчасового вимкнення.

Якщо увімкнена ця функція, у холодильному відділенні підтримується температура 15 °C для запобігання появі неприємного запаху. Натисніть кнопку режиму тимчасового вимкнення знову, щоб вимкнути його.

9. Регулювання температури холодильного відділення

За допомогою цієї функції (°C) можна налаштувати температуру холодильного відділення. Натисніть цю кнопку, щоб встановити у холодильному відділенні температуру 8, 7, 6, 5, 4, 3 та 1 відповідно.

10. Режим швидкого охолодження

Індикатор швидкого заморожування (❄️) буде світитися, коли увімкнена функція швидкого заморожування. Щоб скасувати цю функцію, ще раз натисніть кнопку швидкого охолодження. Індикатор режиму швидкого охолодження згасне, а настройки повернуться до звичайних значень. Функція швидкого охолодження вимкнеться автоматично через 1 годину, якщо не вимкнути її вручну. Якщо вам потрібно охолодити велику кількість продуктів, натисніть кнопку режиму швидкого охолодження перед тим, як покласти продукти у холодильне відділення.

11. Функція Увімк./Вимк.:

Ця функція (🔌) дозволяє вимкнути холодильник натисканням на кнопку протягом 3 секунд. Холодильник можна знову ввімкнути, ще раз натиснувши на кнопку ввімкнення/вимкнення й утримуючи її протягом 3 секунд.

12. Індикатор режиму економії електроенергії:

Якщо двері холодильника закриті протягом тривалого часу, автоматично вмикаються функції енергозбереження і горить символ енергозбереження. (🔌/🌙) У режимі економії електроенергії на дисплеї світиться тільки значок цього режиму, а всі інші індикатори вимкнені. Якщо при ввімкненому режимі економії електроенергії натиснути якусь кнопку або відкрити дверцята, панель управління переходить у звичайний режим, а індикація на дисплеї відновлюється.

Функція економії енергії активізується під час доставки від фабрики і не можуть бути скасовані.

13. Індикатор швидкого заморожування:

Цей значок (❄) загоряється після ввімкнення функції швидкого заморожування.

Попередження про відкриті дверцята

Якщо дверцята холодильної камери залишити відкритими понад одну хвилину, буде подано звуковий попереджувальний сигнал. Звуковий сигнал припиниться після натискання будь-якої кнопки на дисплеї, або після зачинення дверцят.

Подвійна система охолодження

Холодильник оснащено двома окремими системами охолодження: відділення для свіжих продуктів і морозильного відділення. Через це повітря відділення для свіжих продуктів не змішується з повітрям у морозильному відділенні. Завдяки використанню двох окремих систем охолодження, швидкість охолодження набагато вища, ніж у звичайних холодильниках. Запахи у відділеннях не змішуються. Крім того, це забезпечує економію електроенергії, оскільки розмороження відбувається окремо.

Використання приладу

Налаштування морозильного відділення	Налаштування холодильного відділення	Пояснення
-18°C	+4°C	Це нормальний рекомендований режим.
-20, -22 або -24°C	+4°C	Ці режими рекомендується використовувати, коли температура навколишнього середовища перевищує 30°C.
Швидке замороження	+4°C	Використовуйте цю функцію, якщо хочете швидко заморозити продукти. По завершенні процесу холодильник повернеться до попереднього режиму.
-18°C або нижче	+2°C	Рекомендується для випадків, коли можливою причиною недостатньо низької температури в холодильному відділенні є спекотна погода або часте відчинення й зачинення дверцят.
-18°C або нижче	Ш в и д к е охолодження	Використовується, коли холодильне відділення перевантажене, або коли ви хочете швидко охолодити продукти. Функцію швидкого охолодження рекомендується вмикати за 4-8 годин до завантаження продуктів у холодильник.

Замороження свіжих продуктів


- Краще загорнути або накрити продукти, перш ніж завантажувати їх у холодильник.
- Перш ніж класти гарячі продукти до морозильного відділення, слід охолодити їх до кімнатної температури.
- Заморожувані продукти мають бути свіжими та якісними.
- Продукти слід розділити на порції відповідно до щоденних потреб родини, або до використання для приготування страв.
- Продукти мають бути герметично упаковані для запобігання висиханню, навіть якщо вони призначені для нетривалого зберігання.
- Матеріали для упаковки мають бути міцними та стійкими до холоду, вологості, запаху, олій та кислот, а також герметичними. Крім того, вони мають добре закриватися і бути виготовлені з легких у використанні матеріалів, які можуть бути використані для глибокого замороження.
- Для початкового замороження рекомендується класти продукти на верхню полицю морозильного відділення.
- Наведені дані про морозильну здатність холодильника можуть бути досягнені, якщо покласти продукти на верхню полицю, а функцію швидкого замороження активувати за 4 години до завантаження продуктів.
- Продукти, які необхідно заморозити, слід покласти до морозильного відділення. (Вони не мають торкатися вже заморожених

Використання приладу

продуктів, щоб запобігти їх частковому таненню. Морозильну здатність приладу наведено в технічних характеристиках холодильника).

- Періоди, вказані в інформації про глибоке замороження, мають відповідати часу зберігання.
 - Заморожені продукти слід використати одразу після відтанення і ніколи не заморожувати їх знову.
 - Для досягнення найкращих результатів дотримуйтеся наступних інструкцій.
1. Не заморожуйте одночасно занадто велику кількість продуктів. Якість продуктів підтримується найкращим чином, якщо вони якнайшвидше промерзають.
 2. Розміщення теплих продуктів у морозильному відділенні примушує компресор холодильника працювати безперервно, до повного замороження продуктів.
 3. Зверніть особливу увагу на те, що не можна змішувати вже заморожені та свіжі продукти.

Рекомендації щодо зберігання заморожених продуктів

- Упаковані продукти, заморожені в промислових умовах, слід зберігати відповідно до інструкцій їхнього виробника для відділення  *** (4 зірки) зберігання заморожених продуктів.
- Не розміщуйте продукти перед вентилятором морозильного відділення, щоб не перешкоджати

циркуляції повітря. Завантаження продуктів таким чином призведе до підвищеного споживання електроенергії та погіршення ефективності зберігання продуктів у морозильному відділенні холодильника.

- Для забезпечення якісного та корисного для здоров'я зберігання продуктів, слід пам'ятати наступне:
1. Розміщуйте упаковки з продуктами в морозильному відділенні якомога швидше після придбання.
 2. Перевірте, щоб вміст було марковано й датовано.
 3. Не перевищуйте терміни зберігання та вживання продуктів.
- У випадку порушення електропостачання не відчиняйте дверцята морозильного відділення. Навіть якщо тривалість відсутності електроенергії перевищує «Час підвищення температури», вказаний у розділі «Технічні характеристики вашого холодильника», це не вплине на заморожені продукти. Якщо електроенергія відсутня довше, продукти слід перевірити і, в разі необхідності, негайно вжити або заморозити після приготування.
- Під час придбання продуктів зважайте на кінцеву дату придатності до вживання, максимальний дозволений період зберігання, а також на рекомендовану температуру зберігання продуктів. Якщо дату придатності до вживання перевищено, не споживайте продукти.

Використання приладу

- Якщо заморожені продукти відтанули, не заморозуйте їх знову. Продукти, що відтали, слід вжити в їжу або негайно приготувати. Рекомендується приготувати страву з таких продуктів, перш ніж заморозити їх знову, в разі необхідності.
- Час підвищення температури в морозильному відділенні покращиться, якщо акумулятори холоду розмістити в місцях, указаних на малюнку нижче. Наведений час підвищення температури досягається, якщо розміщувати акумулятори холоду у відповідних місцях, як показано нижче.

Розмороження

Морозильне відділення розморожується автоматично.

Інформація про глибоке замороження

Продукти, покладені в холодильник, мають бути заморожені якомога швидше, щоб зберегти їх у гарній якості.

Ви можете зберігати продукти свіжими протягом багатьох місяців (при температурі -18°C або нижче в умовах глибокого замороження), відповідно до інструкцій, наведених на упаковці виробника продуктів.

ПОПЕРЕДЖЕННЯ!



• Продукти слід розділити на порції відповідно до щоденних потреб родини, або до використання для приготування страв.

Продукти мають бути герметично упаковані для запобігання висиханню, навіть якщо вони призначені для нетривалого зберігання.

Матеріали, необхідні для пакування:

- Холодостійка клейка стрічка
- Наклейки
- Гумові кільця
- Авторучка

Матеріали для упаковки мають бути міцними та стійкими до холоду, вологості, запаху, олій та кислот.

Продукти, призначені для замороження, не повинні торкатися вже заморожених продуктів, щоб запобігти їх частковому таненню.

Дотримуйтеся значень, вказаних у таблицях періодів зберігання.

Заморожені продукти слід використати одразу після відтанення, і ніколи не заморозувати їх знову.

• Не кладіть у холодильник гарячі продукти.

Розміщення продуктів

П о л и ц і морозильного відділення	Різні заморожені продукти, наприклад, м'ясо, риба, морозиво, овочі тощо
Відділення для яєць	Яйця
П о л и ц і холодильного відділення	Продукти в каструлях, на накритих тарілках і в закритих контейнерах

Дверні полиці холодильного відділення	Не великі й упаковані продукти та напої (молоко, фруктовий сік, пиво)
Контейнер для овочів і фруктів	Овочі та фрукти
Відділення зони свіжості	Делікатесні продукти (сир, масло, салями тощо)

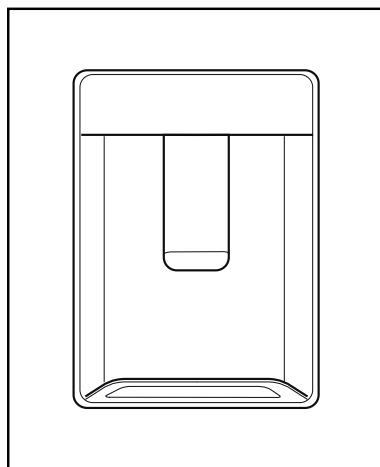
Рекомендації щодо відділення для свіжих продуктів

- Не допускайте контакту будь-яких продуктів із датчиком температури у відділенні для свіжих продуктів. Для підтримання ідеальної температури зберігання у відділенні для свіжих продуктів датчик не повинен закриватись продуктами, що там зберігаються.
- Не кладіть у холодильник гарячі продукти.

Розподільник води

*опція

Розподільник води є дуже зручним засобом отримання охолодженої води, не відчиняючи дверцята холодильника. Оскільки дверцята холодильника відчинятимуться рідше, це допоможе зберегти енергію.



Використання приладу

Використання розподільника води

Натисніть склянкою на важілець розподільника води. Розподільник припинить працювати, щойно звільните важілець.

Максимальний потік досягається натисканням на важілець до впирання. Пам'ятайте, що сила потоку з розподільника води залежить від тиску на важілець.

Коли рівень води в чашці/склянці підвищиться, зменшіть силу натискання на важілець для запобігання проливанню. Якщо натиснути на важілець злегка, вода тектиме краплями; це цілком нормально і не свідчить про несправність.

Наповнення бака розподільника води

Резервуар наповнення бака для води розташований у дверній полиці. Відкрийте кришку резервуара та залийте чисту питну воду. Потім закрийте кришку.

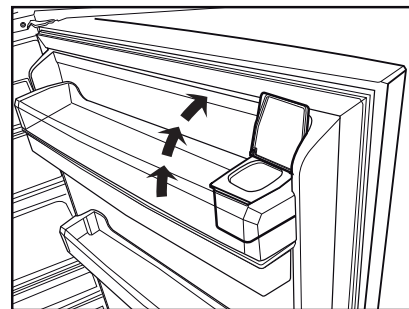
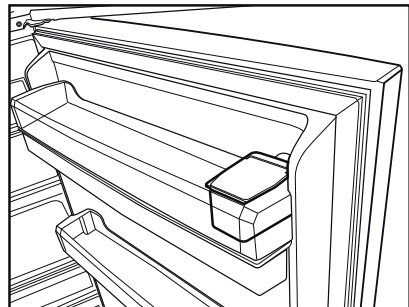
Попередження!

- Не заливайте в бак для води жодну іншу рідину, крім питної води; такі напої, як фруктові соки, молоко, газовані й алкогольні напої, непридатні для використання в розподільнику води. Якщо такі напої буде використано, розподільник води може бути пошкоджений без можливості ремонту. Гарантія на такі випадки не поширюється. Деякі хімічні складники й добавки, які містяться в таких видах напоїв/рідин, можуть пошкодити бак для води та його матеріали.
- Використовуйте тільки чисту питну воду.

- Ємність бака для води становить 3 літра, запобігайте переповненню.
- Натисніть на важілець розподільника води твердою склянкою. У разі використання пластикової склянки натискайте на важілець пальцями ззаду склянки.

Очищення бака для води

- Зніміть резервуар наповнення, що знаходиться у дверній полиці.
- Зніміть дверну полицю, тримаючи її з обох боків.
- Візьміться за бак для води з обох боків та витягніть його під кутом 45°С.
- Зніміть кришку бака для води та промийте його.

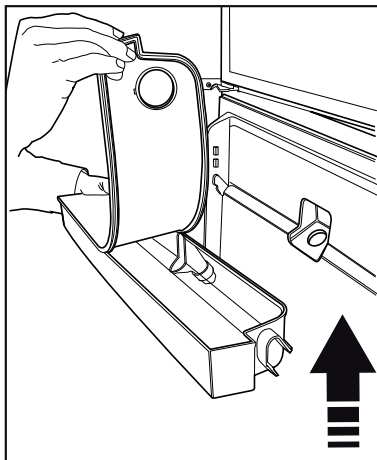
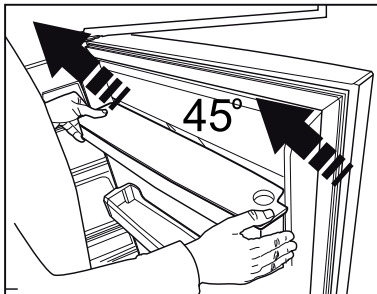
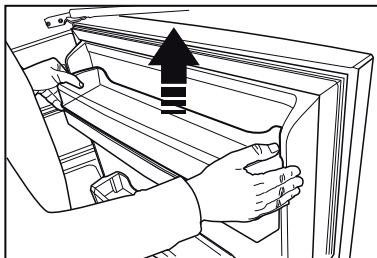
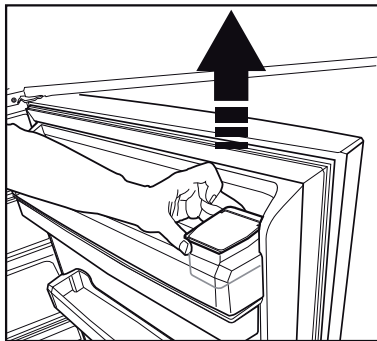


Використання приладу

нормально і не свідчить про несправність.

Наповнення бака розподільника води

Резервуар наповнення бака для води розташований у дверній полиці. Відкрийте кришку резервуара та залийте чисту питну воду. Потім закрийте кришку.



Попередження!

- Не заливайте в бак для води жодну іншу рідину, крім питної води; такі напої, як фруктові соки, молоко, газовані й алкогольні напої, непридатні для використання в розподільнику води. Якщо такі напої буде використано, розподільник води може бути пошкоджений без можливості ремонту. Гарантія на такі випадки не поширюється. Деякі хімічні складники й добавки, які містяться в таких видах напоїв/рідин, можуть пошкодити бак для води та його матеріали.
- Використовуйте тільки чисту питну воду.
- Ємність бака для води становить 3 літра, запобігайте переповненню.
- Натисніть на важілець розподільника води твердою склянкою. У разі використання пластикової склянки натискайте на важілець пальцями ззаду склянки.

Очищення бака для води

- Зніміть резервуар наповнення, що знаходиться у дверній полиці.

Використання приладу

- Зніміть дверну полицю, тримаючи її з обох боків.
- Візьміться за бак для води з обох боків та витягніть його під кутом 45°С.
- Зніміть кришку бака для води та промийте його.

Важливе зауваження:

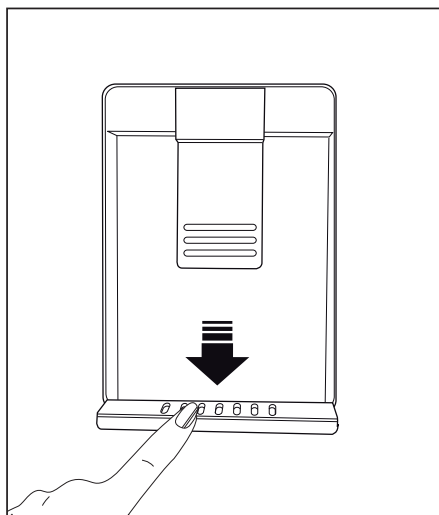
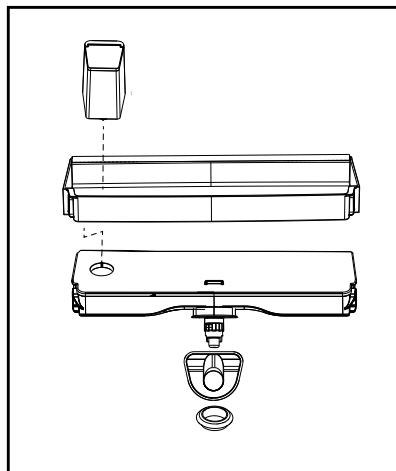
Компоненти бака для води та розподільник води не призначені для миття в посудомийній машині.

Піддон для води

Вода, що крапає під час використання розподільника, накопичується в лотку внизу.

Вийміть пластиковий фільтр, як показано на малюнку.

Чистою і сухою тканиною видаліть воду, що зібралася.



Регулярне чищення продукту продовжить термін його служби.



ПОПЕРЕДЖЕННЯ:

Перед чисткою холодильника необхідно від'єднати його від електромережі.

- Не користуйтеся для чищення гострими та абразивними інструментами, милом, побутовими засобами для чищення, засобами для миття, газоліном, бензином, лаком та подібними речовинами.
- Розчиніть чайну ложку питної соди у воді. Змочіть тканину у воді та віджміть. Протріть прилад цією тканиною та ретельно висушіть.
- Подбайте, щоб вода не попала на плафон лампи та на інші електричні частини.
- Очистіть двері, використовуючи вологу тканину. Видаліть всі елементи, що знаходяться всередині, для відокремлення дверей та полиць на шасі. Піднімайте кришки полиць до їх від'єднання. Очистіть і висушіть полиці, потім прикладіть їх на місце, протягнувши їх зверху.
- Не використовуйте воду з хлором або чистячі засоби для миття зовнішньої поверхні приладу та частин приладу з хромованим покриттям. Хлор може призвести до корозії цих металевих поверхонь.

6.1. Запобігання неприємного запаху

Прилад виготовлений без використання будь-яких пахучих речовин. Однак зберігання їжі у відділеннях, які не призначені для цієї їжі, або неправильне чищення внутрішніх поверхонь приладу може призвести до неприємного запаху.

Тому раз на 15 днів холодильник слід витирати тканиною, змоченою в розчині питної соди в воді.

- Зберігайте продукти в закритих упаковках. Мікроорганізми можуть поширюватися в продуктах харчування з негерметичними упаковками та викликати неприємний запах.
- Не тримайте в холодильнику прострочені та зіпсовані продукти.
- Не використовуйте гострі та абразивні засоби або мило, засоби для догляду за оселею, синтетичні миючі засоби, бензин, бензол, віск і т.д., в іншому випадку на пластикових частинах з'являться сліди і відбудеться їх деформація. Використовуйте для чищення теплу воду і м'яку тканину, а потім витріть насухо.

6.2. Захист пластмасових поверхонь

Олія, пролита на пластикові поверхні, може пошкодити ці поверхні і повинна бути негайно змита теплою водою.

Перш ніж звертатися до сервісної служби, ознайомтеся з цим списком. Це допоможе вам заощадити гроші й час. Цей перелік містить найчастіші несправності, не викликані неякісним виробництвом і матеріалами. Деякі функції, згадані тут, можуть не стосуватися вашого приладу.

Холодильник не працює.

- Штепсель не вставлений повністю. >>> Повністю вставте штепсель до розетки.
- Перегорів плавкий запобіжник розетки, до якої підключено холодильник, або запобіжник електромережі. >>> Перевірте запобіжники.

Конденсація на боковій стінці холодильного відділення (MULTI ZONE, COOL, CONTROL та FLEXI ZONE).

- Дуже часто відчиняються дверцята. >>> Не відчиняйте дверцята дуже часто.
- Дуже вологе навколишнє середовище. >>> Не встановлюйте прилад у вологій атмосфері.
- Продукти, які містять рідину, були поміщені в незапечатані упаковки. >>> Зберігайте продукти, які містять рідину, в закритих упаковках.
- Дверцята помилково залишені відчиненими. >>> Не тримайте дверцята холодильнику відкритими протягом тривалого часу.
- Термостат встановлений на занадто низьку температуру. >>> Встановіть термостат на відповідну температуру.

Компресор не працює

- В результаті несподіваного збою енергопостачання або в результаті вимкнення-увімкнення, тиск холодоагенту в системі охолодження приладу не встиг збалансуватися, і це може увімкнути термозахист компресора. Прилад буде перезапущений через приблизно 6 хвилин. Якщо прилад не перезапустився по закінченні цього періоду, зверніться в сервісну службу.
 - Відбувається розморожування. >>> Для холодильника, який розморожується повністю автоматично, це цілком нормально. Розморожування здійснюється періодично.
 - Прилад не під'єднаний до електромережі. >>> Переконайтеся, що шнур живлення під'єднаний до електромережі.
 - Неправильно налаштовано температуру. >>> Задайте відповідні налаштування температури.
 - Електроживлення відсутнє. >>> Прилад почне працювати в нормальному режимі після відновлення електроживлення.
- Рівень шуму холодильника збільшується під час використання.
- Робочі характеристики приладу можуть змінюватися залежно від коливань навколишньої температури. Це цілком нормально і не є несправністю.

Усунення несправностей

Холодильник працює дуже часто або дуже довго.

- Ваш новий прилад може бути більшим за попередній. Більші прилади можуть працювати протягом більш тривалих періодів часу.
- Зависока температура в приміщенні. >>> Прилад, як правило, може працювати протягом тривалого часу при більш високій кімнатній температурі.
- Прилад щойно увімкнений або завантажений новими продуктами. >>> Прилад потребує більш часу для досягнення потрібної температури у випадку, коли він щойно увімкнений або завантажений новими продуктами. Це нормально.
- Велика кількість гарячих продуктів була недавно розміщена в приладі. >>> Не кладіть у прилад гарячі продукти.
- Дверцята відкривалися часто або залишалися відкритими протягом тривалого часу. >>> Тепле повітря, яке проникає всередину прилада, призводить до більш тривалій роботи приладу. Не відчиняйте дверцята часто.
- Дверцята можуть бути прочинені. >>> Переконайтеся, що дверцята повністю закриті.
- Встановлена дуже низька температура приладу. >>> Встановіть вище значення температури і дочекайтеся, поки прилад не досягне заданої температури.
- Ущільнювач дверцят холодильника або морозильника може бути забруднений, зношений, пошкоджений або не належним чином врегульований. >>> Очистіть або замініть ущільнювач. Пошкоджений/розірваний ущільнювач дверцят призводить до того, що прилад працює більш тривалий час, щоб зберегти поточну температуру.

Температура морозильного відділення надто низька, тоді як температура холодильного відділення достатня.

- Встановлена дуже низька температура морозильного відділення. >>> Встановіть температуру морозильного відділення на вище значення та знову перевірте роботу приладу.

Температура холодильного відділення є дуже низькою, але температура морозильного відділення є адекватною.

- Встановлена дуже низька температура холодильного відділення. >>> Встановіть температуру холодильного відділення на вище значення та знову перевірте роботу приладу.

Харчові продукти, які зберігаються в ящиках холодильного відділення, замерзають.

- Встановлена дуже низька температура холодильного відділення. >>> Встановіть температуру морозильного відділення на вище значення та знову перевірте роботу приладу.

Усунення несправностей

Температура в холодильному або в морозильному відділенні занадто висока.

- Встановлена дуже висока температура холодильного відділення. >>> Налаштування температури холодильного відділення впливають на температуру морозильного відділення. Змініть температуру холодильного відділення та температуру морозильного відділення і дочекайтеся, поки у відділеннях не буде досягнуто заданих температур.
- Дверцята відкривалися часто або залишалися відкритими протягом тривалого часу. >>> Не відчиняйте дверцята занадто часто.
- Дверцята можуть бути прочинені. >>> Повністю закрийте дверцята.
- Прилад щойно увімкнений або завантажений новими продуктами. >>> Це нормально. Прилад потребує більш часу для досягнення потрібної температури у випадку, коли він щойно увімкнений або завантажений новими продуктами.
- Велика кількість гарячих продуктів була нещодавно розміщена в приладі. >>> Не кладіть у прилад гарячі продукти.

Тряска або шум.

- Підлога нерівна або не міцна. >>> Якщо прилад тремтить при повільному переміщенні, відрегулюйте ніжки для балансування приладу. Також переконайтеся, що підлога достатньо міцна і здатна витримати прилад.
- Будь-які предмети, розташовані в приладі, можуть викликати шум. >>> Видаліть всі предмети, розташовані в приладі.

Прилад шумить внаслідок течії та розпорошення рідини, тощо.

- Принцип роботи приладу включає в себе протікання рідини та газу. >>> Це цілком нормально і не є несправністю.

Зсередини приладу виходить звук вітру.

- Прилад використовує вентилятор для охолодження. Це цілком нормально і не є несправністю.

Утворення конденсату на внутрішніх стінках продукту.

- Спекотна або волога погода сприяє утворенню льоду та конденсації. Це цілком нормально і не є несправністю.
- Дверцята відкривалися часто або залишалися відкритими протягом тривалого часу. >>> Не відчиняйте дверцята занадто часто; якщо дверцята відкриті, закрийте їх.
- Дверцята можуть бути прочинені. >>> Повністю закрийте дверцята.

Усунення несправностей

Утворення конденсату на зовнішньої поверхні або між дверима.

- Навколишня середа може бути вологою; при вологій погоді це цілком нормально. >>> Коли волога зменшиться, конденсація зникне.

Внутрішня поверхня погано пахне.

- Очищення приладу не проводиться регулярно. >>> Вимийте внутрішню частину приладу, використовуючи губку, теплу воду та розчин питної соди в воді.
- Деякі тримачі та пакувальні матеріали можуть викликати появу неприємного запаху. >>> Використовуйте тримачі та пакувальні матеріали, які не викликають запаху.
- Продукти були поміщені в незапечатані упаковки. >>> Зберігайте продукти в закритих упаковках. Мікроорганізми можуть поширюватися в продуктах харчування з негерметичними упаковками та викликати неприсмний запах.
- Видаліть з приладу всі прострочені або зіпсовані продукти.

Дверцята не зачиняються.

- Продукти можуть заважати зачиненню дверцят. >>> Змініть розташування продуктів так, щоб вони не заважали зачиненню дверцят.
- Прилад не стоїть на підлозі вертикально. >>> Відрегулюйте ніжки для балансування приладу.
- Підлога нерівна або не міцна. >>> Переконайтеся, що підлога є достатньо міцною і здатна витримати прилад.

Ящик для овочів застряг.

- Харчові продукти можуть контактувати з верхньою частиною висувного ящика. >>> Змініть розташування продуктів в ящику.

Якщо поверхня пристрою є гарячою

- Під час роботи пристрою простір між двома дверима, бічні панелі й задня решітка можуть нагріватися до високої температури. Це цілком нормально і не потребує технічного обслуговування.



ПОПЕРЕДЖЕННЯ:

Якщо проблема не усувається після виконання вказівок, які надаються у цьому розділі, треба зв'язатися з постачальником або з представником авторизованої сервісної служби. Не намагайтеся самостійно ремонтувати прилад.

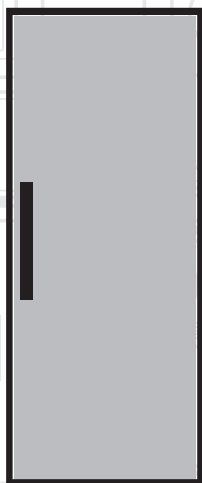
Офіційний представник на території України: ТОВ «Беко Україна»,
адреса: 03150, м. Київ, вул. Антоновича, буд. 72 тел/факс.: 0-800-500-4-3-2”

Інформацію про сертифікацію продукту Ви можете уточнити
зателефонувавши на гарячу лінію 0-800-500-4-3-2.

Термін служби десять років

Chladnička

Používateľská príručka



SK |

beko

Vážení zákazníci,

Radi by sme vám poskytli možnosť na dosiahnutie optimálnej účinnosti nášho výrobku, ktorý bol vyrobený v moderných zariadeniach s dôkladnou kontrolou kvality.

Za týmto účelom si pred použitím výrobku prosím prečítajte celú príručku a uschovajte si ju ako referenčný zdroj. Ak výrobok odovzdáte inej osobe, poskytnite tento návod spolu s výrobkom.

Užívateľská príručka zabezpečí rýchle a bezpečné používanie výrobku.

- Pred inštaláciou a použitím výrobku si prosím prečítajte užívateľskú príručku.
- Vždy dodržujte platné bezpečnostné predpisy.
- Majte užívateľskú príručku v dosahu pre budúce použitie.
- Prečítajte si prosím všetky ďalšie dokumenty dodané s výrobkom.

Nezabúdajte, že táto Užívateľská príručka sa môže vzťahovať na viacero modelov výrobkov. Príručka jasne ukáže všetky variácie rôznych modelov.

Symbols a poznámky

V užívateľskej príručke sú používané nasledujúce symboly:

	Dôležité informácie a užitočné tipy.
	Nebezpečenstvo života a majetku.
	Riziko zranenia elektrickým prúdom.
	Obal tohto výrobku je vyrobený z recyklovateľných materiálov, v súlade s Národnou legislatívou pre životné prostredie.

Obsah

1 Bezpečnostné pokyny a životné prostredie 4

Všeobecná bezpečnosť	4
Účel použitia	6
Bezpečnosť detí	6
Súlad so smernicou WEEE a Odstránenie odpadov výrobku	7
Súlad so smernicou RoHS	7
Informácie o balení	7

2 Chladnička 8

3 Inštalácia 9

Body, ktoré je potrebné zvažovať pri opakovanej preprave chladničky	9
Pred uvedením chladničky do prevádzky	9
Elektrické pripojenie	10
Likvidácia obalu	10
Likvidácia vašej starej chladničky	10
Umiestnenie a inštalácia	11
Nastavenie nôh	11
Zmena smeru otvárania dverí	11

4 Príprava 12

5 Obsluha produktu 13

Zmrazovanie čerstvých potravín	15
Odporúčania pre skladovanie zmrazených potravín	16
Podrobnosti o mrazničke	16
Umiestnenie jedla	16
Upozornenie na otvorené dvere	16
Vnútorne osvetlenie	16
Používanie dávkovača na vodu	17
Plnenie nádrže dávkovača na vodu	17
Čistenie nádrže na vodu	18
Odkvapkávacia miska	19

6 Údržba a čistenie 20

7 Riešenie problémov 21

Táto časť obsahuje bezpečnostné pokyny nevyhnutné pre zabránenie nebezpečenstvu zranení a materiálnych škôd. Nedodržaním týchto pokynov zanikajú všetky typy záruky výrobku.

Určené použitie

UPOZORNENIE:

Udržujte vetracie otvory na kryte prístroja alebo v konštrukcii zabudovania bez prekážok.

UPOZORNENIE:

Nepoužívajte mechanické nástroje alebo iné prostriedky na urýchlenie procesu odmrazenia, okrem tých, ktoré odporúča výrobca.

UPOZORNENIE:

Nepoškodzujte chladiaci okruh.

UPOZORNENIE:

Nepoužívajte elektrické spotrebiče vo vnútri priestoru na potraviny, iba ak sú doporučené výrobcom.



Toto zariadenie je určené pre použitie v domácnosti a v podobných podmienkach, ako sú napríklad

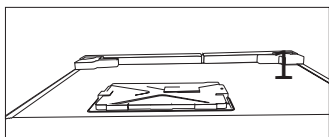
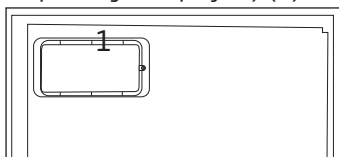
- Kuchynské miestnosti pre personál v obchodoch, kanceláriách a v iných pracovných prostrediach;
- farmárske domy a klienti v hoteloch, motelloch a iných typoch bytových zariadení;
- v ubytovacích zariadeniach typu bed and breakfast;
- stravovacie a podobné zariadenia neobchodného typu.

1.1. Všeobecná bezpečnosť

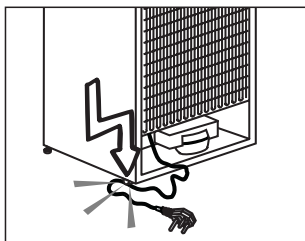
- Tento produkt by nemali používať osoby s telesným, zmyslovým a mentálnym postihnutím, osoby bez dostatočných znalostí a skúseností, alebo deti. Zariadenie môžu tieto osoby používať len pod dohľadom a po poučení osobou zodpovednou za ich bezpečnosť. Nedovoľte deťom hrať sa s týmto zariadením.
- V prípade poruchy prístroj odpojte.
- Po odpojení počkajte najmenej 5 minút pred opätovným pripojením. Odpojte výrobok, keď sa nepoužíva. Nedotýkajte sa zástrčky mokrými rukami! Pri odpájaní neťahajte za kábel, vždy uchopte zástrčku.
- Nezapájajte chladničku, ak je zásuvka uvoľnená.
- Pri inštalácii, údržbe, čistení a opravách výrobok odpojte.
- Ak sa výrobok nebude dlhší čas používať, odpojte ho a vyberte z neho potraviny.
- Nepoužívajte paru alebo čistiace prostriedky s parou pre čistenie chladničky a topenia ľadu vo vnútri. Para môže prísť do styku s elektrifikovanými oblasťami a spôsobiť skrat alebo elektrický šok!
- Neumývajte výrobok striekaním alebo polievaním vodou na neho! Nebezpečenstvo úrazu elektrickým prúdom!
- Nikdy nepoužívajte výrobok, ak časť nachádzajúca sa na hornej

Bezpečnostné pokyny a životné prostredie

alebo zadnej strane výrobku s elektrickou doskou s plošným spojom vo vnútri je otvorená (krycia doska elektronických plošných spojov) (1).



- V prípade jeho poruchy výrobok nepoužívajte, pretože by mohlo dôjsť k úrazu elektrickým prúdom. Pred tým, než čokoľvek urobíte, sa obráťte na autorizovaný servis.
- Výrobok zapájajte do uzemnenej zásuvky. Uzemnenie musí byť vykonané kvalifikovaným elektrikárom.
- Ak produkt má osvetlenie typu LED, pre jeho nahradenie alebo v prípade akéhokoľvek problému sa obráťte na autorizovaný servis.
- Nedotýkajte sa mrazených potravín mokrymi rukami! Môžu sa nalepiť na Vaše ruky!
- Neklad'te do mrazničky tekutiny vo fľašiach a plechovkách. Môžu vybuchnúť!
- Tekutiny umiestnite vo vzpriamenej polohe a pevne uzatvorte ich veko.
- Nestriekajte horľavé látky v blízkosti výrobku, nakoľko sa môže zapáliť alebo explodovať.
- Nenechávajte horľavé materiály a produkty s horľavým plynom (spreje, atď.) v chladničke.
- Neklad'te nádoby obsahujúce kvapaliny na hornú časť výrobku. Voda striekajúca na elektrifikované časti môže spôsobiť úraz elektrickým prúdom a nebezpečenstvo požiaru.
- Vystavenie produkt dažďu, snehu, slnku a vetru môže spôsobiť elektrické nebezpečenstvo. Pri premiestňovaní výrobku ho netahajte držaním za rukoväť dverí. Rukoväť sa môže odtrhnúť.
- Dbajte na to, aby nedošlo k zachyteniu akúkoľvek časti vašich rúk či tela do akýchkoľvek z pohybujúcich sa častí vo vnútri výrobku.
- Nevyliezajte alebo sa neopierajte o dvere, zásuvky a podobné časti chladničky. Môže to mať za následok pád výrobku a spôsobiť poškodenie dielov.
- Dávajte pozor, aby nedošlo k privretiu napájacieho kábla.



Bezpečnostné pokyny a životné prostredie

1.1.1 Varovanie HC

Ak výrobok obsahuje chladiaci systém v ktorom sa používa plyn R600a, zabezpečte, aby pri používaní a pohybovaní spotrebiča nedošlo k poškodeniu chladiaceho systému a jeho potrubia. Tento plyn je horľavý. Ak je chladiaci systém poškodený, zabezpečte, aby bolo zariadenie mimo dosahu zdrojov ohňa a okamžite vyvetrajte miestnosť.



Štítok na vnútornej ľavej strane označuje druh plynu používaného v produkte.

1.1.2 Pre modely s dávkovačom vody

- Tlak pre prívod studenej vody musí byť maximálne 90 psi (620 kPa). Ak je váš tlak vody vyšší ako 80 psi (550 kPa, použite vo vašej sieti ventil na obmedzovanie tlaku. Ak neviete, ako skontrolovať tlak vody, požiadajte o pomoc profesionálneho inštalátora.
- Ak pri inštalácii existuje riziko vodného rázu, vždy použite preventívne zariadenia proti vodnému rázu. Ak ste si nie je istý, či vo Vašej sieti je efekt vodného rázu, poraďte sa s profesionálnym inštalátorom.
- Neinštalujte na prívide pre teplú vodu. Vykonajte nevyhnutné opatrenia proti riziku zamrznutia hadíc. Prevádzkový interval teplota vody musí byť medzi minimálne 33 °F (0,6 °C) a maximálne 100 °F (38 °C).

- Používajte len pitnú vodu.

1.2. Účel použitia

- Tento výrobok je určený pre domáce použitie. Nie je určený pre komerčné použitie.
- Spotrebič by mal byť používaný iba pre skladovanie potravín a nápojov.
- Do chladničky neukladajte citlivé produkty, ktoré si vyžadujú riadené teploty (očkovacie látky, lieky citlivé na teplo, zdravotnícky materiál, atď.).
- Výrobca nenesie žiadnu zodpovednosť za prípadné škody spôsobené nesprávnym použitím alebo nesprávnou manipuláciou.
- Životnosť výrobku je 10 rokov. Náhradné diely potrebné pre funkčnosť tohoto výrobku budú pre toto obdobie k dispozícii.

1.3. Bezpečnosť detí

- Obalové materiály uchovávajúte mimo dosahu detí.
- Nedovoľte deťom, aby sa s výrobkom hrali.
- Ak je na dverách výrobku zámok, kľúč držte mimo dosahu detí.

1.4. Súlad so smernicou WEEE a Odstránenie odpadov výrobku

Tento výrobok spĺňa požiadavky smernice WEEE EÚ (2012/19/EU). Na tomto produkte je zobrazený symbol klasifikácie odpadu elektrických a elektronických zariadení (OĚEZ).



Tento výrobok bol vyrobený z vysoko kvalitných materiálov a komponentov, ktoré sa dajú opätovne použiť a ktoré sú vhodné pre recykláciu. Na konci

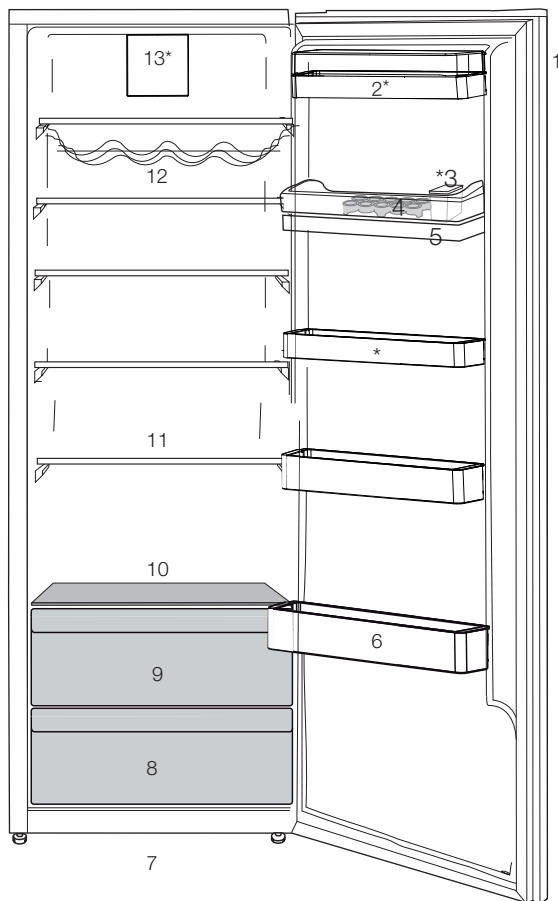
svojej životnosti spotrebič nevyhadzujte spolu s bežnými domácimi a inými odpadmi. Odneste ho do zberného centra pre recykláciu elektrických a elektronických zariadení. Pre informácie o týchto zberných strediskách sa prosím obráťte na miestne úrady.

1.5. Súlad so smernicou RoHS

Tento výrobok spĺňa požiadavky smernice WEEE EÚ (2011/65/EU). Neobsahuje škodlivé a zakázané látky uvedené v smernici.

1.6. Informácie o balení

Obalové materiály výrobku sú vyrobené z recyklovateľných materiálov v súlade s našimi národnými predpismi o životnom prostredí. Nevyhadzujte obalové materiály spolu s domácimi alebo inými odpadmi. Vezmite ich do zberných miest pre obalové materiály určené miestnymi orgánmi.



- | | |
|----------------------------------|--------------------------------|
| 1. Indikačný panel | 7. fľaškové police |
| 2. Maslo a syr rezy | 8. Nastaviteľné predné nožičky |
| 3. Automat na vodu plniaci nádrž | 9. chladič |
| 4. sekcia Egg | 10. Chladič kryt a sklo |
| 5. Dávkovač vodná nádrž | 11. posuvné regály |
| 6. Nastaviteľné police dverí | 12. Vínná pivnica |

*** Nemusí byť k dispozícii u všetkých modelov**



Údaje v tejto používateľskej príručke sú schematické a nemusia presne zodpovedať vášmu výrobku. Ak váš výrobok neobsahuje príslušné časti, tieto informácie sa vzťahujú na ostatné modely.

3 Inštalácia



Zapamätajte si, že výrobca nie je zodpovedný za škody v prípade, ak nedodržíte pokyny v návode na použitie.

3.1. Body, ktoré je potrebné zvažovať pri opakovanej preprave chladničky

1. Vaša chladnička musí byť pred presunom prázdna a očistená.
2. Police, príslušenstvo, priehradky atď. vo vašej chladničke musia byť pred opätovným zabalením chladničky zalepené a zaistené voči otrasom.
3. Balenie musíte zaistiť hrubými páskami alebo silnými lanami a musíte dodržiavať bezpečnostné pokyny na balení.

Nezabudnite...

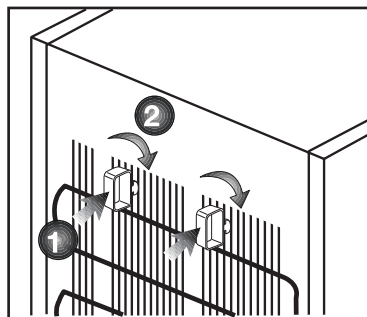
Každý recyklovaný materiál je nepostrádateľným zdrojom pre prírodu a národné zdroje.

Ak by ste chceli prispieť k recyklácii obalových materiálov, informácie môžete získať u ekologických organizácií alebo na miestnych úradoch.

3.2. Pred uvedením chladničky do prevádzky

Pred začatím používania vašej chladničky skontrolujte nasledovné:

1. Je interiér chladničky suchý a môže vzduch ľahko cirkulovať v zadnej časti?
2. Vyčistite interiér chladničky podľa odporúčania v časti „Údržba a čistenie“.
3. Chladničku pripojte do elektrickej zásuvky. Keď sa otvoria dvere chladničky, zapne sa vnútorné svetlo.
4. Budete počuť zvuk pri zapnutí kompresora. Kvapalina a plyny utesnené v chladiacom systéme môžu



vydávať nejaký zvuk, bez ohľadu na to, či kompresor je alebo nie je v prevádzke. Toto je celkom normálne.

5. Predné hrany chladničky môžu byť zohriate. To je normálne. Tieto časti sú vytvorené tak, aby boli zohriate, aby sa predišlo kondenzácii.
6. 2 plastové kliny môžete namontovať tak, ako je to znázornené na obrázku. Plastové klince zaisťujú požadovanú vzdialenosť medzi chladničkou a stenou kvôli dostatočnej cirkulácii vzduchu. (Znázornený obrázok predstavuje len príklad a nezodpovedá presne s vaším produktom.)
7. Interiér chladničky vyčistite podľa odporúčania v časti „Údržba a čistenie“.

3.3. Elektrické pripojenie

Pripojte výrobok k uzemnenej zástrčke, ktorá je chránená poistkou príslušnej kapacity.

Dôležité:

- Pripojenie musí byť v zhode s národnými predpismi.
- Elektrická zásuvka musí byť po inštalácii ľahko prístupná.
- Určené napätie musí byť rovnaké ako napätie vo vašej elektrickej sieti.
- Predlžovacie káble a rozbočky sa nesmú používať na pripojenie zariadenia.



Poškodený elektrický kábel musí vymeniť kvalifikovaný elektrikár.



Zariadenie sa nesmie prevádzkovať dotedy, pokiaľ nebude opravené! Hrozí nebezpečenstvo zásahu elektrickým prúdom!

3.4. Likvidácia obalu

Obalový materiál môže byť nebezpečný pre deti. Obalový materiál držte mimo dosahu detí alebo ho vyhodte podľa pokynov pre likvidáciu odpadu. Neodhadzujte ho spolu s normálnym domovým odpadom.

Balenie chladničky je vyrobené z recyklovateľných materiálov.

3.5. Likvidácia vašej starej chladničky

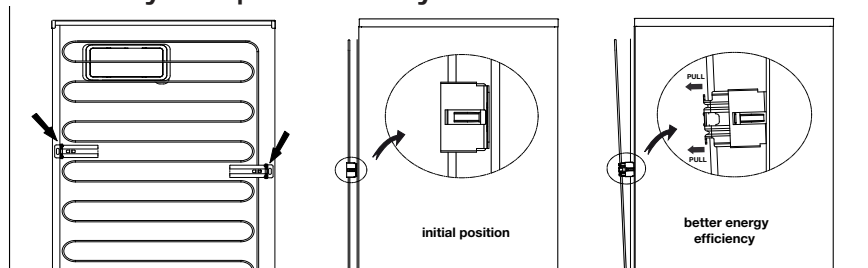
Vašu starú chladničku zlikvidujte ekologicky.

- O likvidácii vašej starej chladničky sa môžete poradiť s vašim autorizovaným predajcom alebo zberným miestom.

Pred likvidáciou vašej chladničky odrežte elektrickú zásuvku a ak sa na dverách nachádzajú nejaké zámky, znefunkčnite ich, aby ste nevystavili deti žiadnemu nebezpečenstvu.

- Chladič Vášho zariadenia je umiestnený na zadnej časti, spôsobom zobrazeným nižšie. Pre dosiahnutie vyššej energetickej efektívnosti s nižšou spotrebou, chladič, prosím, potiahnite k sebe, spôsobom zobrazeným na obrázku nižšie. Umiestnenie chladiča bude z každej strany napevno zafixované pomocou vrchných držiakov uzamykacieho mechanizmu.

*** Nemusí byť k dispozícii u všetkých modelov.**

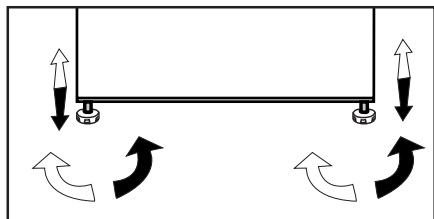


3.6. Umiestnenie a inštalácia

1. Chladničku nainštalujte na miesto, ktoré umožňuje ľahké použitie.
2. Chladničku udržiavajte mimo dosah zdrojov tepla, vlhkých miest a priameho slnečného svetla.
3. Kvôli dosiahnutiu účinnej prevádzky musí byť v okolí chladničky dostatočné vetranie. Ak bude chladnička umiestnená vo výklenku v stene, minimálna vzdialenosť od stropu musí byť 5 cm a od steny 5 cm. Ak je podlaha pokrytá kobercom, výrobok musí byť zdvihnutý do výšky 2,5 cm od podlahy.
4. Kvôli zabráneniu hádzaniu dajte chladničku na rovnú podlahu.

3.7. Nastavenie nôh

Ak je vaša chladnička nestabilná; Chladničku môžete vyvážiť otáčaním predných nôh tak, ako je to znázornené na obrázku. Keď nohu otáčate v smere čiernej šípky, roh s príslušnou nohou sa znižuje; keď nohu otáčate v opačnom smere, poloha sa zvyšuje. Pomoc inej osoby miernym prídvihnutím chladničky celý proces uľahčí.

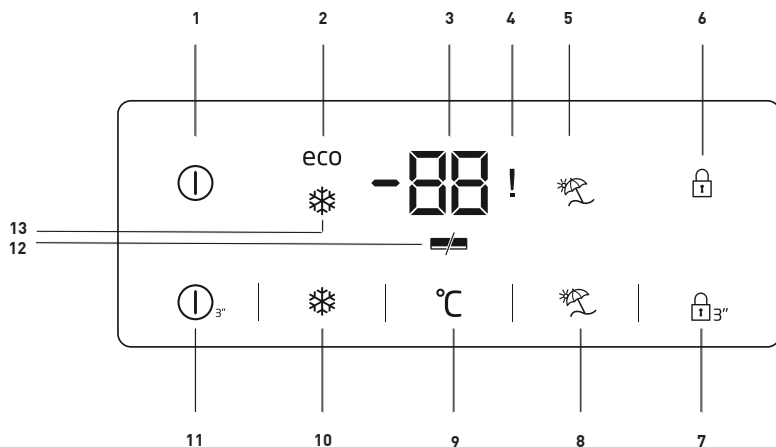


3.8. Zmena smeru otvárania dverí

Smer otvárania dverí chladničky je možné zmeniť podľa miesta, na ktorom ju používate. Ak je to potrebné, zavolajte do najbližšieho autorizovaného servisu, prosím.

4 Příprava

- Vaša chladnička by mala byť umiestnená v najmenej 30 cm vzdialenosti od zdrojov tepla, ako sú horáky, rúry na pečenie, radiátory a kachle a najmenej v 5 cm vzdialenosti od elektrických rúr na pečenie a nemala by byť umiestnená na priamom slnku.
- Teplota prostredia v miestnosti, kde chladničku inštalujete, by mala byť aspoň 5 °C. Prevádzka chladničky v chladnejšom prostredí sa neodporúča s ohľadom na jej účinnosť.
- Uistite sa, že je interiér vašej chladničky dôkladne vyčistený.
- Ak sa budú vedľa seba inštalovať dve chladničky, mala by byť medzi nimi vzdialenosť minimálne 2 cm.
- Pri prvom spustení vašej chladničky počas šiestich hodín dodržujte nasledujúce pokyny.
- Dvere by ste nemali otvárať príliš často.
- Chladnička musí byť počas tohto času prázdna.
- Chladničku neodpájajte od siete. Ak dôjde k výpadku napájania, ktoré nemôžete ovplyvniť, pozrite si upozornenia v časti „Odporúčané riešenia problémov“.
- Vždy používajte koše/zásuvky poskytované s chladicím priestorom v zájmu nízkej spotreby energie a lepších podmienok skladovania.
- Styk potravín s čidlom teploty v mrazničke môže zvýšiť spotrebu energie zariadenia. Zabraňte tedy jakémukoliv kontaktu s čidlom (čidly).
- Originálny obal a penové materiály by ste si mali odložiť za účelom budúceho transportu a prenášania.
- U niektorých modelov sa prístrojová doska automaticky vypne po 5 minútach po tom, ako boli dvere uzavreté. Opäť sa aktivuje, keď sa dvere otvoria alebo po stlačení ľubovoľnej klávesy.
- Vzhľadom na zmenu teploty v dôsledku otvorenia/zatvorenia dverí počas prevádzky je bežné, že sa na dverách/poličkách a sklenených nádobách objavia kondenzácie.



1. Kontrolka Zap./Vyp.

Táto ikona (ⓘ) sa rozsvieti, keď sa chladnička vypne. Všetky ostatné ikony zhasnú.

2. Kontrolka ekonomického využitia:

Táto ikona (eco) sa rozsvieti, ak je chladnička nastavený na 8°C, čo je najúspornejší nastavená hodnota. Kontrolka ekonomického využitia zhasne, ak zvolíte funkciu rýchleho chladenia alebo rýchleho mrazenia.

3. Priestor chladničky - ukazovateľ nastavenia teploty:

Naznačuje nastavenú teplotu pre priestor chladničky.

4. Kontrolka výpadku napájania / vysokej teploty / výstrahy na vysokú teplotu / chybu:

Táto kontrolka (ⓘ) sa rozsvieti pri poruchách spôsobených výpadkom napájania, vysokými teplotami a pri chybových hláseniach. Počas pretrvávajúcej výpadkov napájania sa najvyššia teplota, ktoré chladnička dosiahne, rozblíkajú na digitálnom displeji.

5. Indikátor Dovolienky:

Táto ikona (☀) sa rozsvieti, keď je aktívna funkcia Dovolienka.

6. Kontrolka zámku tlačidiel:

Táto ikona (🔒) sa rozsvieti keď je aktívna funkcia zámku.

7. Režim zámku tlačidiel:

Tlačidlo (🔒_{3"}) držte po dobu 3 sekúnd. Ikona zámku tlačidiel sa rozsvieti a aktivuje sa režim zámku tlačidiel. Tlačidlá



Údaje uvedené v tejto používateľskej príručke sú určené ako koncepty a nemusia byť v dokonalom súlade s Vaším výrobkom. Ak váš výrobok neobsahuje príslušné časti, vzťahujú sa tieto informácie na ostatné modely.

nebudú funkčné v režime zámku tlačidiel. Znovu stlačte tlačidlo zámku tlačidiel na 3 sekundy. Ikona zámku tlačidiel zhasne a ukončí sa režim zámku tlačidiel.

8. Funkcia Dovoľenka:

Keď stlačíte tlačidlo Dovoľenka, aktivuje sa funkcia Dovoľenka (☞) a rozsvieti sa kontrolka Dovoľenka. Túto funkciu môžete použiť, keď nebudete chladničku dlhú dobu používať. Upozorňujeme, že v chladničke nesmie zostať žiadne jedlo, v takom prípade chladnička v režime Dovoľenka vaše jedlo neuchová. Ak je táto funkcia aktivovaná, teplota v priestore chladničky zostane na 15°C, aby sa predišlo vzniku zápachu. Túto funkciu deaktivujete opätovným stlačením tlačidla Dovoľenka.

9. Funkcia nastavenia chladničky:

Táto funkcia (°C) vám umožňuje vykonávať nastavenie teploty priestoru chladničky. Stlačením tohto tlačidla nastavíte teplotu priestoru chladničky na 8,7,6,5,4,3 a 1.

10. Funkcia rýchleho chladenia:

Kontrolka Rýchle chladenie (❄) sa rozsvieti, keď spustíte funkciu Rýchle chladenie. Pre zrušenie funkcie stlačte znova tlačidlo Rýchleho chladenia. Indikátor rýchleho chladenia zhasne a obnovia sa normálne nastavenia. Funkcia Rýchle chladenie sa zruší automaticky o 1 hodinu neskôr, pokiaľ ju nezrušíte manuálne. Ak chcete schladiť veľké množstvo čerstvých potravín, stlačte tlačidlo Rýchle chladenie ešte než potraviny vložíte do chladničky.

11. Funkcia Zap./Vyp.:

Táto funkcia (Ⓜ) vám umožňuje vypnúť chladničku, ak ju budete tlačiť po dobu 3 sekúnd. Chladničku možno zapnúť stlačením tlačidla zapnutia/vypnutia opäť po dobu 3 sekúnd.

12. Indikátor úspory energie :

Ak sú dvere produktu ponechané zatvorené dlhú dobu, automaticky sa aktivuje funkcia úspory energie a rozsvieti sa príslušný symbol. (⏻)

Keď je funkcia úspora energie aktívna, všetky ostatné symboly na displeji zhasnú. Keď je aktivovaná funkcia úspory energie, ak stlačíte akékoľvek tlačidlo alebo otvorte dvierka, režim úspory energie sa ukončí a ikony na displeji sa vráti do normálu.

Funkcia úspory energie sa aktivuje počas doručenia z továrne a nemožno ju zrušiť.

13. Kontrolka Rýchle mrazenie:

Táto ikona (❄) sa rozsvieti keď spustíte funkciu rýchleho mrazenia.

Používanie výrobku

5.1. Zmrazovanie čerstvých potravín

- Ak chcete zachovať kvalitu potravín, potraviny umiestnené v mrazničke musia byť zmrazené tak rýchlo, ako je to možné, z toho dôvodu použite funkciu rýchleho zmrazenia.
 - Zmrazenie potravín v čerstvom stave predĺži dobu ich skladovania v mrazničke.
 - Zabalte potraviny do vzduchotesných balení a tesne ich uzatvorte.
 - Uistite sa, že potraviny sú pred vložením do mrazničky zabalené. Miesto tradičného obalového papiera použite krabice do mrazničky, staniol a papier odolný proti vlhkosti, igelitové vrecká alebo podobné obalové materiály.
 - Pred zmrazením označte každé balenie potravín napísaním dátumu na ich obal. To vám umožní určiť čerstvosť každého balenia pri každom otvorení mrazničky. Udržujte skoršie položky potravín v prednej časti, aby ste zabezpečili, že budú použité ako prvé.
- Zmrazené potraviny musia byť použité ihneď po rozmrazení a nemali by byť znovu zmrazené.
 - Nezmrazujte veľké množstvo potravín naraz.

Nastavenie Mraziacej časti	Nastavenie Chladiacej časti	Opis
-18°C	4°C	Toto je predvolené, odporúčané nastavenie.
-20, -22 alebo -24 °C	4°C	Tieto nastavenia sa odporúčajú pre teploty nad 30°C.
Rýchle mrazenie	4°C	Použite ich pre zmrazenie potravín v krátkej dobe, bude spotrebič sa pri ukončení procesu opätovne nastaviť na predchádzajúce nastavenia.
-18°C alebo nižšie	2°C	Použite toto nastavenie, ak si myslíte, že chladiaci priestor nie je dostatočne studený vzhľadom na teplotu prostredia alebo časté otváranie dverí.

5.2. Odporúčania pre skladovanie zmrazených potravín

Chladiaci priestor musí byť nastavený na menej ako -18°C .

1. Umiestnite potraviny do mrazničky čo najrýchlejšie, aby nedošlo k ich rozmrazeniu.
2. Pred zmrazením skontrolujte položku "Dátum spotreby" na obale aby ste sa uistili, že ešte nevypršal.
3. Uistite sa, že balenie potravín nie je poškodené.

5.3. Podrobnosti o mrazničke

Podľa noriem IEC 62552, mraznička musí mať schopnosť zmraziť 4,5 kg potravín na teplotu -18°C alebo nižšie do 24 hodín na každých 100 litrov objemu mraziaceho priestoru. Potraviny môžu byť zachované po dlhšiu dobu iba pri teplote do teploty -18°C . Potraviny môžete udržiavať čerstvé po dobu niekoľkých mesiacov (v mraznička na alebo pod teplotou -18°C).

Potraviny ktoré majú byť zmrazené nesmú prísť do kontaktu s už zmrazenými potravinami vo vnútri mrazničky z dôvodu zabránenia ich čiastočnému rozmrazeniu.

Zeleninu uvarite a vodu odfiltrujte pre predĺženie doby zmrazeného skladovania. Po filtrácii dajte jedlo do vzduchotesných balení a umiestnite ho v mrazničke. Banány, paradajky, hlávkový šalát, zeler, varené vajcia, zemiaky a podobné potraviny nezmrazujte. Zmrazenie týchto potravín jednoducho zníži nutričné hodnoty a kvalitu týchto potravín, ako aj spôsobí ich prípadné znehodnotenie, ktoré je zdraviu škodlivé.

5.4. Umiestnenie jedla

Police v mraziacej časti	Rôzny mrazený tovar ako sú mäso, ryby, zmrzlina, zelenina a pod.
Police v chladiacej časti	Potraviny v hrnci, tanieri a krabice s viečkami, vajcia (v krabiciach s viečkom)
Police v dverách chladiacej časti	Malé a balené potraviny alebo nápoje
Zásobník na zeleninu	Ovocie a zelenina
Časť pre čerstvé potraviny	Lahôdky (potraviny pre raňajky, mäsové výrobky, ktoré majú byť konzumované v krátkej dobe)

5.5. Upozornenie na otvorené dvere (voliteľné)

Ak dvere výrobku zostanú otvorené po dobu 1 minúty, zaznie akustické upozornenie. Akustický upozornenie stíchne, keď sú dvere zatvorené alebo po stlačení ľubovoľného tlačidla na displeji (ak je k dispozícii).

5.6. Vnútorne osvetlenie

Vo vnútornom osvetlení sa používa LED lampa. V prípade akýchkoľvek problémov s touto lampou sa obráťte na autorizovaný servis.

Lampa(y) použité v tomto prístroji nie sú vhodné pre osvetlenie miestnosti domácnosti. Zamýšľaný účel tohto svietidla je pomôcť užívateľovi umiestniť potraviny do chladničky/mrazničky bezpečne a pohodlne.

5.7. Používanie dávkovača na vodu

*voliteľné

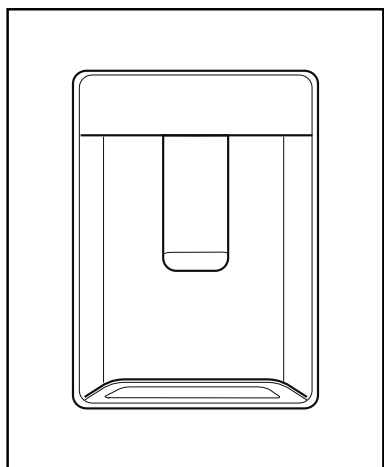
i Je normálne, že prvých niekoľko pohárov vody odobraných z dávkovača vody bude obvykle teplých.

i Ak sa dávkovač vody nepoužíval dlhšiu dobu, aby ste získali čistú vodu, prvé poháre vody vylejte.

1. Zatlačte pohárom o páku dávkovača vody. Ak používate mäkký plastový téglík, bude jednoduchšie páku stlačiť rukou.

2. Po naplnení pohára požadovanú úroveň, uvoľnite páku.

i Upozorňujeme, že z dávkovača vytečie toľko vody, ako ďaleko potlačíte páku. Keď hladina vody vo Vašej šálke / pohári stúpne, jemne znížte množstvo tlaku na páku, aby ste zabránili pretečeniu. Ak páku ľahko stlačíte, bude kvapkať voda; to je úplne normálne a nejde o poruchu.



5.8. Plnenie nádrže dávkovača na vodu

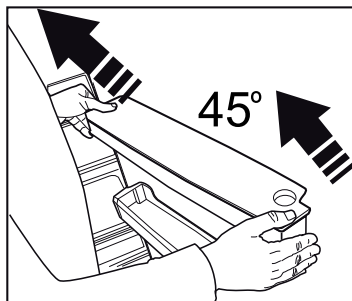
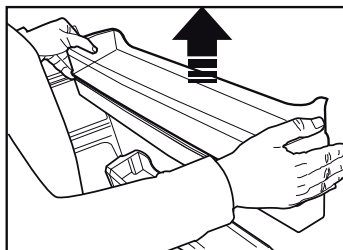
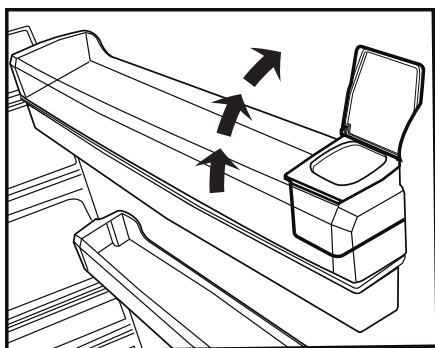
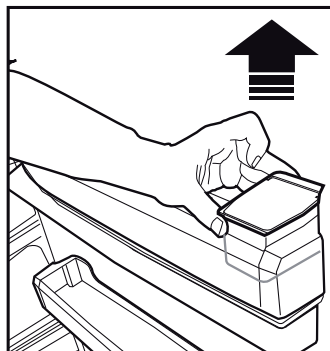
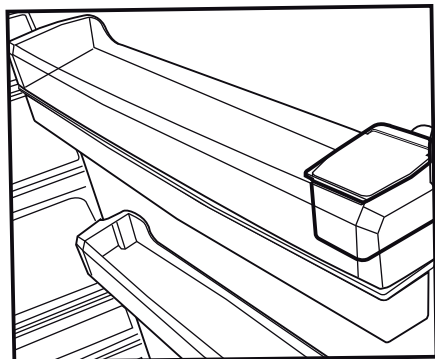
Plniaca nádrž Vodnej nádrže je umiestnená vo vnútri stojana dverí.

1. Otvorte kryt nádrže.
2. Naplňte nádrž čerstvou pitnou vodou.
3. Zatvorte kryt.

i Neplňte nádrž na vodu s inou kvapalinou okrem vody, ako sú napríklad ovocné džúsy, sýtené nápoje a alkoholické nápoje, ktoré nie sú vhodné pre použitie v dávkovači vody. V prípade použitia týchto druhov kvapalín sa dávkovač vody nenapraviteľne poškodí. Záruka sa nevzťahuje na takéto použitie. Niektoré chemické látky a prísady obsiahnuté v týchto druhov nápojov / kvapalín môžu poškodiť nádržku na vodu.

i Používajte len čistú pitnú vodu.

i Kapacita nádrže na vodu je 3 litre; nepreplňajte ju.

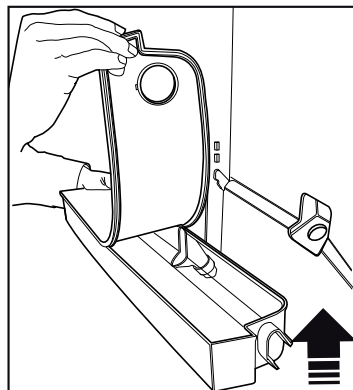


5.9. Čistenie nádrže na vodu

1. Vyberte nádrž na vodu vo vnútri rámu dverí.
2. Odstráňte rám dverí ich pridržením z oboch strán.
3. Chyťte nádržku na vodu z oboch strán a odstráňte ju pod uhlom 45 ° C.
4. Odstráňte kryt zásobníka na vodu a vyčistíte nádrž.



Súčasti nádrže na vodu a dávkovač vody neumývajte v umývačke riadu.

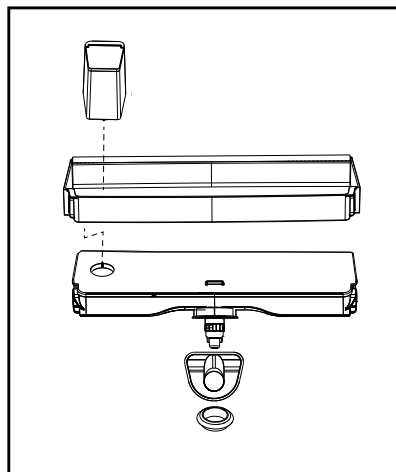
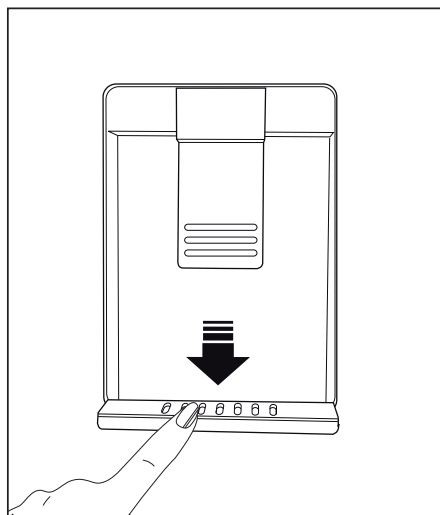


5.10. Odkvapkávacia miska

Voda, ktorá pri použití dávkovača vody vykvapkala, sa hromadí v odkvapkávacom zásobníku.

Odstráňte plastový filter, ako je znázornené na obrázku.

S čistou a suchou handričkou odstráňte nahromadenú vodu.



6 Údržba a čistenie

Čistite produkt pravidelne, čím predĺžite jeho životnosť.



UPOZORNENIE:

Pred čistením chladničku odpojte od napájania.

- Nikdy nepoužívajte ostré a drsné nástroje, mydlo, domáce čistiace prostriedky, čistiace prášky, plyn, benzín, laky a podobné látky na čistenie.
- Pri výrobkoch, ktoré nie sú typu Frost, sa na zadnej stene chladničky tvoria vodné kvapky a námraza až po šírku prsta. Nečistite to; nikdy na to nepoužívajte olej alebo podobné látky.
- Na čistenie vonkajšieho povrchu výrobku používajte iba mierne vlhké tkaniny z mikrovlákien. Špongie a iné typy utierok môžu poškríabať povrch.
- Rozpusťte lyžičku uhličitanu vo vode. Navlhčíte kúsok handry vo vode a vyžmýkajte ju. Utrite prístroj s touto látkou a dôkladne osušte.
- Dávajte pozor, aby sa voda nedostala do krytu lampy a iných elektrických častí.
- Vyčistite dvere pomocou vlhkej handričky. Odstrániť všetky položky vo vnútri pre vybratie poličiek z dverí a samotnej chladničky. Zdvihnite dverné police až do ich odpojenia sa. Vyčistite a osušte police, potom ich umiestnite späť na ich miesto zasunutím zhora.
- Nepoužívajte chlórúvodu alebo čistiace prostriedky na vonkajšom povrchu a pochrómovaných častiach výrobku. Chlór môže na takých kovových povrchoch spôsobiť koróziu.

- Nikdy nepoužívajte ostré a drsné nástroje alebo mydlo, domáce čistiace prostriedky, čistiace prostriedky, benzín, benzén, vosk, atď., v opačnom prípade sa na plastových dieloch objavia škvrny a dôjde k ich deformácii. Na čistenie použite teplú vodu a mäkkú handričku a utrite ich do sucha.

6.1. Prevencia pred zápachom

Výrobok je vyrobený bez akýchkoľvek pachových látok. Avšak, udržiavanie jedla v nesprávnych častiach a nesprávne čistenie vnútorných povrchov môže viesť k zápachu.

Aby k tomu nedošlo, očistite vnútro so sódomou vodou každých 15 dní.

- Uchovávajte potraviny v uzavretých baleniach. Mikroorganizmy sa môžu z neuzavretých potravín rozšíriť a spôsobiť zápach.
- Nenechávajte potraviny so zašlým dátumom spotreby a pokazené potraviny v chladničke.

6.2. Ochrana plastových povrchov

Olej vytečený na plastové povrchy môže poškodiť povrch a musí byť ihneď umytý teplou vodou.

Než sa obrátite na servis, pozrite si nasledujúci zoznam. Môže Vám to ušetriť čas aj peniaze. Tento zoznam obsahuje časté sťažnosti, ktoré nie sú spojené s chybným spracovaním alebo poškodením materiálu. Niektoré funkcie uvedené v tomto dokumente sa nemusia vzťahovať na váš produkt.

Chladnička nefunguje.

- Zástrčka nie je úplne nasadená. >>> Zapojte ju úplne do zásuvky.
- Poistka pripojená do zásuvky ktorá napája produkt alebo hlavná poistka je spálená. >>> Skontrolujte poistky.

Kondenzácia na bočnej stene chladiaceho priestoru (MULTI ZÓNA, CHLADIACA, KONTROLNÁ a FLEXI ZÓNA).

- Dvere sa otvárajú príliš často >>> Dbajte na to, aby ste dvere výrobku neotvárali príliš často.
- Prostredie je príliš vlhké. >>> Neinštalujte výrobok vo vlhkom prostredí.
- Potraviny obsahujúce tekutiny sú uchovávané v neuzavretých nádobách. >>> Uchovávajte potraviny, ktoré obsahujú tekutiny v uzavretých nádobách.
- Dvere výrobku boli ponechané otvorené. >>> Nenechávajte dvere chladničky otvorené po dlhšiu dobu.
- Termostat je nastavený na príliš nízku teplotu. >>> Nastavte termostat na vhodnú teplotu.

Kompresor nepracuje.

- V prípade náhleho výpadku prúdu alebo vyťahnutia napájacieho kábla a po jeho opätovnom pripojení tlak plynu v chladiacom systéme výrobku nie je vyvážený, čo spustí tepelný istič kompresora. Produkt sa reštartuje po približne 6 minútach. Keď sa výrobok po uplynutí tejto doby nereštartuje, obráťte sa na servis.
- Je aktívne rozmrazovanie. >>> To je normálne pre chladničku s plne automatickým rozmrazovaním. Odmrazovania sa vykonáva pravidelne.
- Produkt nie je zapojený do elektrickej siete >>> Uistite sa, že napájací kábel je zapojený.
- Nastavenie teploty je nesprávne. >>> Zvoľte zodpovedajúce nastavenie teploty.
- Nie je prúd. >>> Produkt bude naďalej fungovať normálne po obnovení napájania.

Prevádzkový hluk chladničky sa pri používaní zvyšuje.

- Prevádzkové výsledky tohto výrobku sa môžu líšiť v závislosti na zmenách teploty okolitého prostredia. To je normálne a nejedná sa o závalu.

Chladnička beží príliš často alebo príliš dlho.

Riešenie problémov

- Nový výrobok môže byť väčší ako ten predchádzajúci. Väčšie výrobky budú pracovať po dlhšiu dobu.
- Teplota v miestnosti môže byť vysoká. >>> Výrobok bude v miestnosti s vyššou teplotou spustený po dlhšiu dobu.
- Výrobok mohol byť zapojený len nedávno alebo v ňom boli umiestnené nové položky potravín. >>> Výrobok dosiahne nastavenú teplotu dlhšie, keď bol len práve zapojený alebo doň boli umiestnené nové potraviny. To je normálne.
- Do výrobku bolo v poslednej dobe umiestnené veľké množstvo teplého jedla. >>> Nepokladajte horúce jedlo do výrobku.
- Dvere boli často otvorené alebo zostali otvorené po dlhšiu dobu. >>> Teplý vzduch pohybujúce sa vo vnútri spôsobí, že výrobok bude v prevádzke dlhšie. Neotvárajte dvere chladničky príliš často.
- Dvere mrazničky alebo chladničky mohli zostať pootvorené. >>> Skontrolujte, či sú dvere úplne zatvorené.
- Výrobok môže byť nastavený na príliš nízku teplotu. >>> Nastavte teplotu na vyšší stupeň a počkajte, až výrobok dosiahne nastavenú teplotu.
- Podložky dvier chladničky alebo mrazničky môžu byť špinavé, opotrebované, rozbité alebo nesprávne nasadené. >>> Vyčistite alebo vymeňte podložky. Poškodené / roztrhané podložky dverí spôsobia, že výrobok bude bežať dlhšiu dobu pre zachovanie aktuálnej teploty.

Teplota mrazenia je veľmi nízka, ale teplota chladiča je dostačujúca.

- Teplota priestoru mrazničky je nastavená na veľmi nízky stupeň. >>> Nastavte teplotu v mrazničke na vyšší stupeň a znovu skontrolujte.

Teplota chladenia je veľmi nízka, ale teplota mrazničky je dostačujúca.

- Teplota priestoru chladničky je nastavená na veľmi nízky stupeň. >>> Nastavte teplotu v chladničke na vyšší stupeň a znovu skontrolujte.

Potraviny uchovávané v chladnejších zásuvkách priestorov sú zmrazené.

- Teplota priestoru chladničky je nastavená na veľmi nízky stupeň. >>> Nastavte teplotu v mrazničke na vyšší stupeň a znovu skontrolujte.

Riešenie problémov

Teplota v chladničke alebo v mrazničke je príliš vysoká.

- Teplota priestoru chladničky je nastavená na veľmi vysoký stupeň. >>> Nastavenie teploty chladiacej časti ovplyvňuje teplotu v mrazničke. Zmeňte teplotu v chladiacej alebo mraziacej časti a počkajte, kým príslušné priehradky dosiahnú nastavenú úroveň teploty.
- Dvere boli často otvorené alebo zostali otvorené po dlhšiu dobu. >>> Neotvárajte dvere chladničky príliš často.
- Dvere môžu byť pootvorené. >>> Úplne zatvorte dvere.
- Produkt mohol byť zapojený len nedávno alebo v ňom boli umiestnené nové položky potravín. >>> To je normálne. Výrobok dosiahne nastavenú teplotu dlhšie, keď bol len práve zapojený alebo doň boli umiestnené nové potraviny.
- Do výrobku bolo v poslednej dobe umiestnené veľké množstvo teplého jedla. >>> Nepokladajte horúce jedlo do výrobku.

Trasie sa alebo vydáva hluk.

- Podlaha nie je vo vodováhe alebo nie je odolná. >>> Ak sa výrobok trasie, keď sa pomaly pohybuje, nastavte stojany na vyrovnanie výrobku. >>> Uistite sa tiež, že podlaha je dostatočne odolná k tomu, aby uniesla produkt.
- Všetky položky umiestnené na výrobku môže spôsobiť hluk. >>> Odstrániť všetky položky umiestnené na výrobku.

Výrobok vytvára hluk tečúcej, striekajúcej kvapaliny a pod.

- Princíp fungovania tohto výrobku je založený na toku kvapalín a plynu. >>> To je normálne a nejedná sa o závalu.

Z výrobku znie zvuk ako vanúci vietor.

- Výrobok pre proces chladenia používa ventilátor. To je normálne a nejedná sa o závalu.

Na vnútorných stenách výrobku sa vytvoril kondenzát.

- Horúce alebo vlhké počasie zvýši námrazu a kondenzáciu. To je normálne a nejedná sa o závalu.
- Dvere boli často otvorené alebo zostali otvorené po dlhšiu dobu. >>> Neotvárajte dvere príliš často, ak zostali otvorené, zatvorte ich.
- Dvere môžu byť pootvorené. >>> Úplne zatvorte dvere.

Vytvára sa kondenzát na vonkajšej strane výrobku alebo medzi dverami.

- Okolité prostredie môže byť vlhké, je to úplne normálne vo vlhkom počasí. >>> Kondenzácia sa rozptýli, keď sa zníži vlhkosť.

Riešenie problémov

Interiér zapácha.

- Produkt nie je pravidelne čistený.
>>> Pravidelne čistite vnútro pomocou hubky, teplej vody a sýtenej vody.
- Niektoré balenia a obalové materiály môže spôsobiť zápach.
>>> Používajte balenia a obalové materiály bez zápachu.
- Potraviny boli umiestnené v neuzavretých baleniach. >>> Uchovávajte potraviny v uzavretých baleniach. Mikroorganizmy sa môžu z neuzavretých potravín rozšíriť a spôsobiť zápach.
- Z výrobku odstráňte všetky potraviny so zašlým dátumom spotreby a pokazené potraviny.

Dvere sa nezatvárajú.

- Balíčky s potravinami môžu blokovať dvere. >>> Premiestnite predmety blokujúce dvere.
- Produkt nestojí v úplne zvislej polohe na zemi. >>> Nastavte stojany pre uvedenie výrobku do zvislej polohy.
- Podlaha nie je vo vodováhe alebo nie je odolná. >>> Uistite sa, že podlaha je vyvážená a dostatočne odolná k tomu, aby uniesla produkt.

Zásobník na zeleninu sa zasekol.

- Potraviny môžu byť v kontakte s hornou časťou zásobníka. >>> Preusporiadajte potraviny v šuplíku.

Ak je povrch zariadenia horúci.

- Vysoké teploty je možné spozorovať v priestore medzi dverami, na bočných paneloch a na zadnom rošte, počas prevádzky zariadenia. Je to normálny stav, ktorý nevyžaduje údržbu!



UPOZORNENIE: Ak problém pretrváva aj po vykonaní pokynov v tejto časti, obráťte sa na svojho predajcu alebo na autorizovaný servis. Nepokúšajte sa opraviť produkt.

